

## DOSSERT®

### TYPE D

#### Copper Screw Terminals For Cable To Flat

An inexpensive lug of rugged construction yet very compact. These lugs are suitable for all types of installations and are completely reusable. Acceptance of wide range of conductor sizes limits the need for large stock.

#### Material

Copper Alloy

#### Hardware

Zinc Plated Steel Screw

#### Note

Also available with Hex head set screw. Add (H) to catalog number. Example D35H.

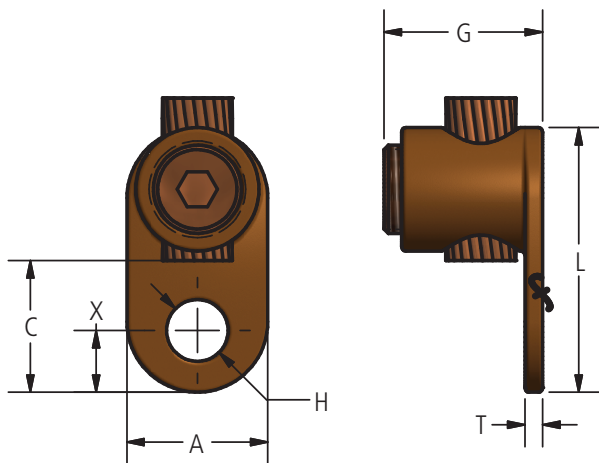
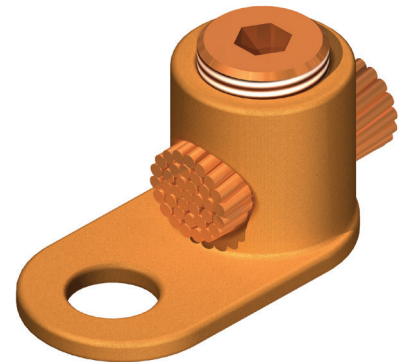


FIG. 1

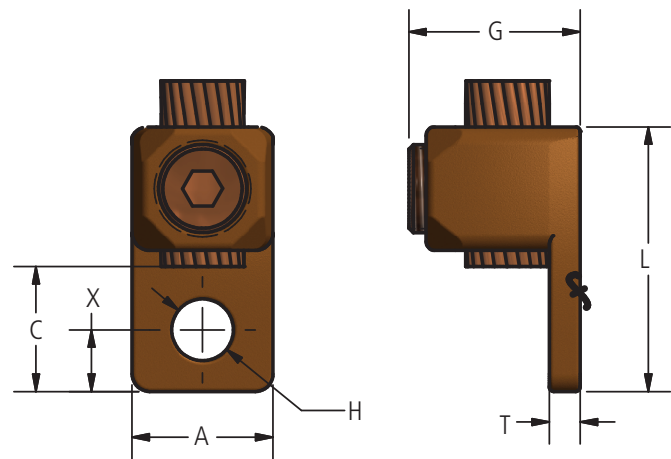


FIG. 2

### Ordering Information

CATALOG NUMBER		CABLE RANGE		FIG. NO.	DIMENSIONS IN INCHES						
ALLEN HEAD BOLT	HEX HEAD BOLT	MINIMUM	MAXIMUM		A	C	G	H	L	T	X
D10	D10H	4 STR	1/0 STR	1	3/4	3/4	7/8	11/32	1 1/2	5/32	3/8
D21	D21H	1 STR	4/0 STR	1	15/16	1	1 1/4	7/16	1 13/16	3/16	7/16
D25	D25H	2/0 STR	250 MCM	1	1	1	1 5/16	7/16	1 7/8	3/16	7/16
D35	D35H	#14 SOL	#8 STR	1	13/32	15/32	9/16	7/32	13/16	5/64	3/16
D50	D50H	4/0 STR	500 MCM	2	1 3/8	1 3/8	1 3/4	9/16	2 7/8	5/16	11/16
D70	D70H	#14 SOL	#4 STR	1	9/16	5/8	11/16	9/32	1 1/8	7/64	1/4
D100	D100H	500 MCM	1000 MCM	2	1 15/16	1 5/8	2 1/4	9/16	3 5/8	3/8	3/4