

DOSSERT[®] TYPE HHL, HHL-A Copper Heavy Duty Terminal for Cable

A variable terminal connector whose double clamping element provides for additional secureness where heavy duty service is required. The simplicity of installation and rugged design make this connector a serviceable unit. Made of high conductivity cast copper alloy and equipped with bronze pressure screws and clamping members. HHL-A has cap screws instead of hex bolts for clapping the conductor.

Material

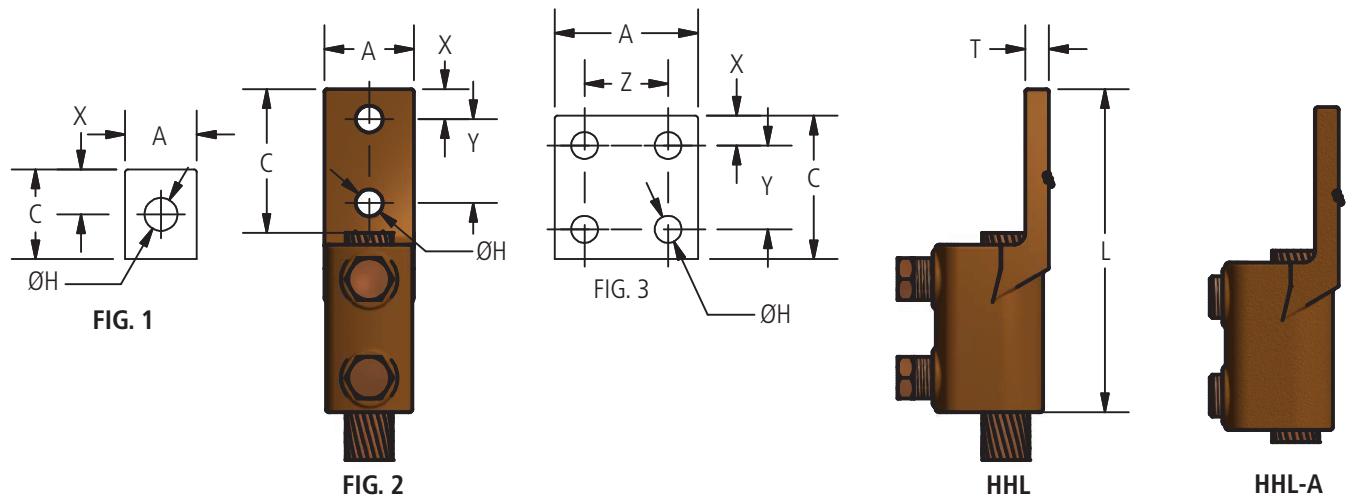
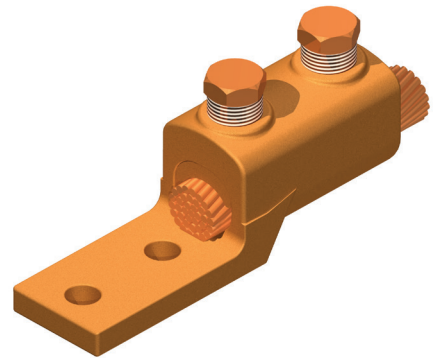
Copper Alloy

Hardware

Zinc Plated Steel Screw

Note

For a 350MCM cable to a 2 NEMA pad with cap screws order: HHL350-2N-A



Bronze Terminals, Taps



DOSSERT®

TYPE HHL, HHL-A
Copper Heavy Duty Terminal for Cable

Ordering Information

CATALOG NUMBER		CABLE SIZE		FIG. NO.	DIMENSIONS IN INCHES							
HEX HEAD BOLT	ALLEN HEAD BOLT	MIN	MAX		A	C	H	L	X	Y	Z	T
HHL4-1	HHL4-1-A	8 SOL	4 STR	1	1/2	5/8	9/32	2 3/8	5/16	-	-	3/16
HHL4-2	HHL4-2-A	8 SOL	4 STR	2	1/2	1 1/4	9/32	2 15/16	5/16	5/8	-	3/16
HHL8-1	HHL8-1-A	4 SOL	1 STR	1	1 1/16	1 1/16	9/32	2 13/16	11/32	-	-	7/32
HHL8-2	HHL8-2-A	4 SOL	1 STR	2	1 1/16	1 3/8	9/32	3 5/8	5/16	3/4	-	7/32
HHL13-1	HHL13-1-A	1 STR	2/0 STR	1	13/16	7/8	7/16	3 3/16	7/16	-	-	7/32
HHL13-2	HHL13-2-A	1 STR	2/0 STR	2	13/16	1 5/8	11/32	4 3/16	3/8	7/8	-	7/32
HHL21-1	HHL21-1-A	2/0 STR	4/0 STR	1	1	1	7/16	3 9/16	1/2	-	-	1/4
HHL21-2	HHL21-2-A	2/0 STR	4/0 STR	2	1	1 3/4	7/16	4 1/2	3/8	1	-	1/4
HHL21-2N	HHL21-2N-A	2/0 STR	4/0 STR	2	1 1/2	3	9/16	5 5/8	5/8	1 3/4	-	1/4
HHL30-1	HHL30-1-A	4/0 STR	300 MCM	1	1 3/16	1 1/4	9/16	4 3/16	5/8	-	-	5/16
HHL30-2	HHL30-2-A	4/0 STR	300 MCM	2	1 3/16	2	7/16	4 3/4	7/16	1	-	5/16
HHL30-2N	HHL30-2N-A	4/0 STR	300 MCM	2	1 1/2	3	9/16	5 7/8	5/8	1 3/4	-	5/16
HHL35-1	HHL35-1-A	250 MCM	350 MCM	1	1 3/16	1 1/4	9/16	4 3/8	5/8	-	-	5/16
HHL35-2	HHL35-2-A	250 MCM	350 MCM	2	1 3/16	2	7/16	4 7/8	7/16	1	-	5/16
HHL35-2N	HHL35-2N-A	300 MCM	350 MCM	2	1 1/2	3	9/16	6	5/8	1 3/4	-	5/16
HHL50-1	HHL50-1-A	300 MCM	500 MCM	1	1 3/8	1 3/8	9/16	4 7/8	11/16	-	-	11/32
HHL50-2	HHL50-2-A	300 MCM	500 MCM	2	1 3/8	2	7/16	5 3/8	7/16	1	-	11/32
HHL50-2N	HHL50-2N-A	300 MCM	500 MCM	2	1 1/2	3	9/16	6 3/8	5/8	1 3/4	-	11/32
HHL50-4	HHL50-4-A	300 MCM	500 MCM	3	2	2	7/16	5 3/8	7/16	1	1	11/32
HHL50-4N	HHL50-4N-A	500 MCM	750 MCM	3	3	3	9/16	6 7/8	5/8	1 3/4	1 3/4	11/32
HHL75-1	HHL75-1-A	500 MCM	750 MCM	1	1 5/8	1 3/4	11/16	5 11/16	7/8	-	-	3/8
HHL75-2	HHL75-2-A	500 MCM	750 MCM	2	1 5/8	2 1/4	9/16	5 15/16	9/16	1 1/8	-	3/8
HHL75-2N	HHL75-2N-A	500 MCM	750 MCM	2	1 5/8	3	9/16	6 13/16	5/8	1 3/4	-	3/8
HHL75-4	HHL75-4-A	500 MCM	750 MCM	3	2 1/4	2 1/4	7/16	5 3/4	5/8	1	1	3/8
HHL75-4N	HHL75-4N-A	750 MCM	1000 MCM	3	3	3	9/16	6 7/8	5/8	1 3/4	1 3/4	3/8
HHL100-1	HHL100-1-A	750 MCM	1000 MCM	1	1 7/8	1 7/8	11/16	6 1/16	15/16	-	-	1/2
HHL100-2	HHL100-2-A	750 MCM	1000 MCM	2	1 7/8	2 1/2	9/16	6 3/8	5/8	1 1/4	-	1/2
HHL100-2N	HHL100-2N-A	750 MCM	1000 MCM	2	1 7/8	3	9/16	7 1/16	5/8	1 3/4	-	1/2
HHL100-4	HHL100-4-A	750 MCM	1000 MCM	3	2 1/2	2 1/2	7/16	6 1/4	5/8	1 1/4	1 1/4	1/2
HHL100-4N	HHL100-4N-A	1000 MCM	1500 MCM	3	3	3	9/16	7 1/8	5/8	1 3/4	1 3/4	1/2
HHL150-1	HHL150-1-A	1000 MCM	1500 MCM	1	2 1/8	2 1/8	13/16	6 3/8	1 1/16	-	-	9/16
HHL150-2	HHL150-2-A	1000 MCM	1500 MCM	2	2 1/8	2 5/8	9/16	7 3/8	5/8	1 3/8	-	9/16
HHL150-2N	HHL150-2N-A	1000 MCM	1500 MCM	2	2 1/8	3	9/16	7 3/4	5/8	1 3/4	-	9/16
HHL150-4	HHL150-4-A	1000 MCM	1500 MCM	3	2 5/8	2 5/8	9/16	7 3/8	5/8	1 3/8	1 3/8	9/16
HHL150-4N	HHL150-4N-A	1000 MCM	1500 MCM	3	3	3	9/16	8 1/4	5/8	1 3/4	1 3/4	9/16

Bronze Terminals, Taps