

DOSSERT®

TYPE HLS, HLSC

Copper Terminal for Cable to Stud Posts

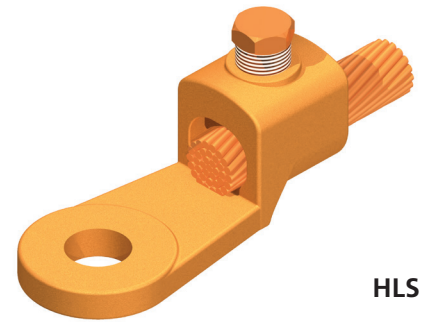
An efficient and easy to install variable type terminal for connecting wires or cables to studposts of electrical equipment. The wire or cable connector is securely clamped in position by merely tightening the pressure screw. The full bearing length of cable is clamped by means of an internal pressure pad curved to fit the conductor.

Material

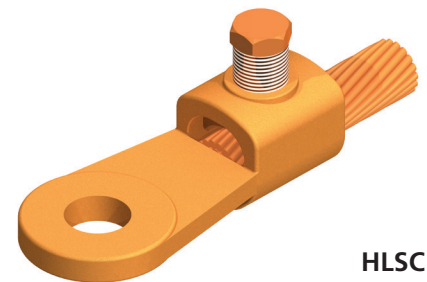
Copper Alloy

Hardware

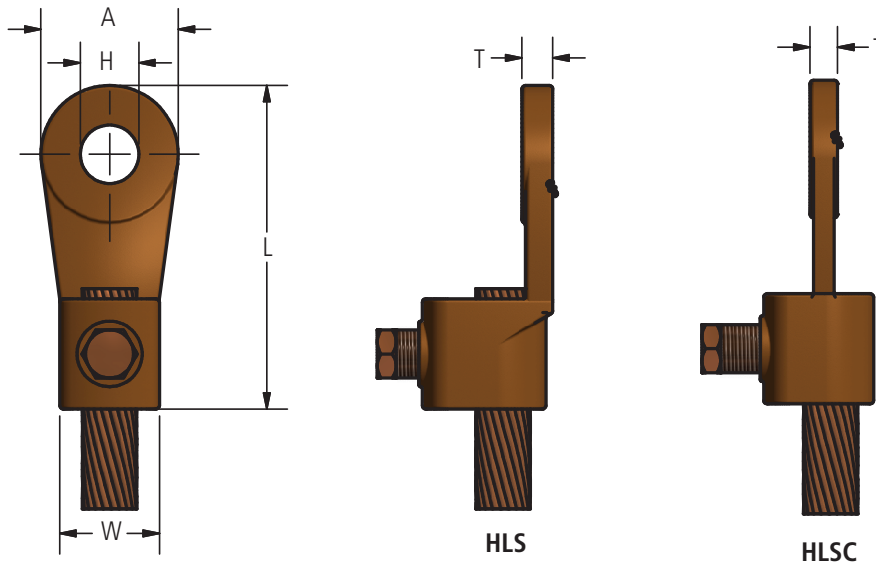
Everdur pressure bolt



HLS



HLSC



HLS

HLSC

Ordering Information

CATALOG NUMBER		CABLE SIZE		STUD DIA.	DIMENSIONS IN INCHES				
HLS	HLSC	MIN	MAX		A	H	L	T	W
HLS1-25	HLSC1-25	14 SOL	8 STR	1/4	3/4	9/32	1 1/2	3/16	15/32
HLS4-25	HLSC4-25	8 SOL	4 STR	1/4	3/4	9/32	1 9/16	1/4	1/2
HLS8-25	HLSC8-25	4 SOL	1 STR	1/4	3/4	9/32	1 11/16	9/32	11/16
HLS1-38	HLSC1-38	14 SOL	8 STR	3/8	1	13/32	1 3/4	3/16	15/32
HLS4-38	HLSC4-38	8 SOL	4 STR	3/8	1	13/32	1 13/16	1/4	1/2
HLS8-38	HLSC8-38	4 SOL	1 STR	3/8	1	13/32	1 15/16	9/32	11/16
HLS8-50	HLSC8-50	4 SOL	1 STR	1/2	1 1/4	17/32	2 3/16	1/4	11/16
HLS13-50	HLSC13-50	1 STR	2/0 STR	1/2	1 1/4	17/32	2 7/16	9/32	13/16
HLS21-50	HLSC21-50	2/0 STR	4/0 STR	1/2	1 1/4	17/32	2 11/16	5/16	1
HLS30-63	HLSC30-63	4/0 STR	300 MCM	5/8	1 1/2	21/32	3 3/16	3/8	1 3/16
HLS35-63	HLSC35-63	250 MCM	350 MCM	5/8	1 1/2	21/32	3 1/4	3/8	1 1/4
HLS50-63	HLSC50-63	300 MCM	500 MCM	5/8	1 1/2	21/32	3 1/4	3/8	1 11/32
HLS75-63	HLSC75-63	500 MCM	750 MCM	5/8	1 1/2	21/32	3 1/2	7/16	1 19/32
HLS30-75	HLSC30-75	4/0 STR	300 MCM	3/4	1 7/8	25/32	3 9/16	3/8	1 3/16
HLS35-75	HLSC35-75	250 MCM	350 MCM	3/4	1 7/8	25/32	3 5/8	3/8	1 1/4
HLS50-75	HLSC50-75	300 MCM	500 MCM	3/4	1 7/8	25/32	3 5/8	3/8	1 11/32
HLS75-75	HLSC75-75	500 MCM	750 MCM	3/4	1 7/8	25/32	3 7/8	7/16	1 19/32
HLS50-100	HLSC50-100	300 MCM	500 MCM	1	2 1/2	1.03125	4 1/4	3/8	1 11/32
HLS75-100	HLSC75-100	500 MCM	750 MCM	1	2 1/2	1.03125	4 1/2	7/16	1 19/32
HLS100-100	HLSC100-100	750 MCM	1000 MCM	1	2 1/2	1.03125	4 13/16	1/2	1 15/16