

DOSSERT®

TYPE TCX Bar to Variable Cable or Pipe

TCX can be used as a tap or a terminal. A variable clamp type terminal or tap for connecting a cable or pipe to a flat bar bus. Each size accommodates a wide range of cable sizes.

Material

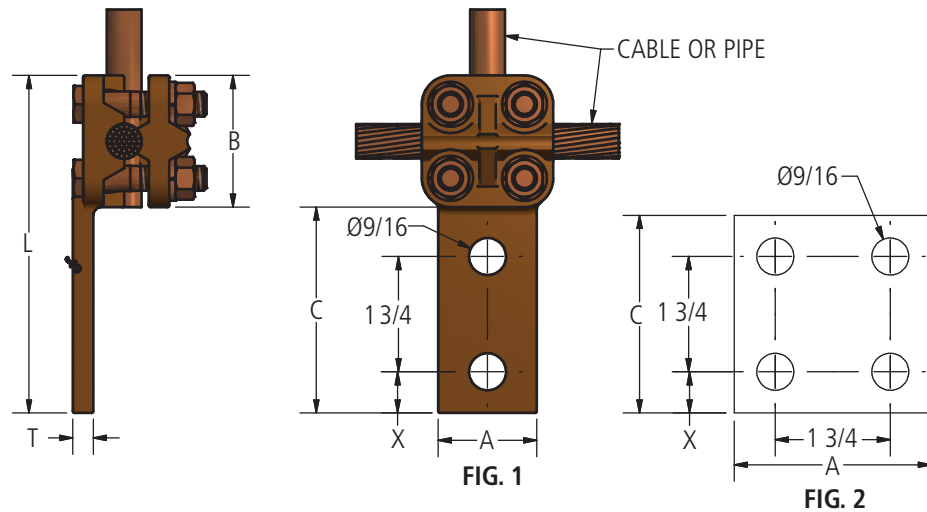
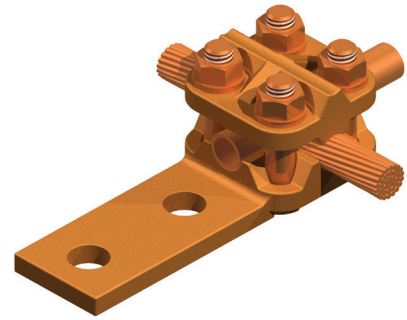
Copper Alloy

Hardware

Everdur-bolts, nuts, and lockwashers.

Note

For tin plating add "-SN" to the end of the catalog number.



Bronze Terminals, Taps

Ordering Information

CATALOG NUMBER	CABLE RANGE		SPS RANGE		FIG NO.	DIMENSIONS IN INCHES						BOLT SIZE
	SMALL GROOVE	LARGE GROOVE	SMALL GROOVE	LARGE GROOVE		A	B	C	L	T	X	
TCX21-2N	6SOL-1STR	1STR-4/0STR	-	-	1	1 1/2	2	3	5 1/8	5/16	5/8	3/8
TCX21-4N	6SOL-1STR	1STR-4/0STR	-	-	2	3	2	3	5 1/8	5/16	5/8	3/8
TCX60-2N	4SOL-4/0STR	250-600	1/4	1/2	1	1 1/2	2 5/16	3	5 1/2	3/8	5/8	3/8
TCX60-4N	4SOL-4/0STR	250-600	1/4	1/2	2	3	2 5/16	3	5 1/2	3/8	5/8	3/8
TCX80-2N	2SOL-250	300-800	1/4	3/4	1	2	2 7/16	3	5 11/16	1/2	5/8	3/8
TCX80-4N	2SOL-250	300-800	1/4	3/4	2	3	2 7/16	3	5 11/16	1/2	5/8	3/8
TCX150-2N	4/0SOL-850	900-1500	1/4	1	1	2	3 1/4	3	6 1/2	9/16	5/8	1/2
TCX150-4N	4/0SOL-850	900-1500	1/4	1	2	3	3 1/4	3	6 1/2	9/16	5/8	1/2
TCX150-4N4	4/0SOL-850	900-1500	1/4	1	2	4	3 1/4	4	7 1/2	9/16	1 1/8	1/2
TCX200-2N	500-1300	1500-2000	3/4	1 1/2	2	2	3 1/2	3	6 3/4	11/16	5/8	1/2
TCX200-4N	500-1300	1500-2000	3/4	1 1/2	2	3	3 1/2	3	6 3/4	11/16	5/8	1/2