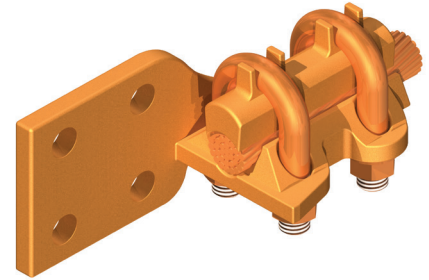


DOSSERT® TYPE UL-90V Copper Vertical Mounting Terminal

A vertical side mounting type terminal lug for connecting cables to flat bar busses. The side clamping feature provides clearance to enable terminal to be mounted well within the bus surface without interference of the U-bolts.



Material

Copper Alloy

Hardware

Everdur U-bolts, nuts and lockwashers.

Note

Contact pads can be furnished to any specification of size undrilled or drilled to specified hole sizes and center to center dimensions.

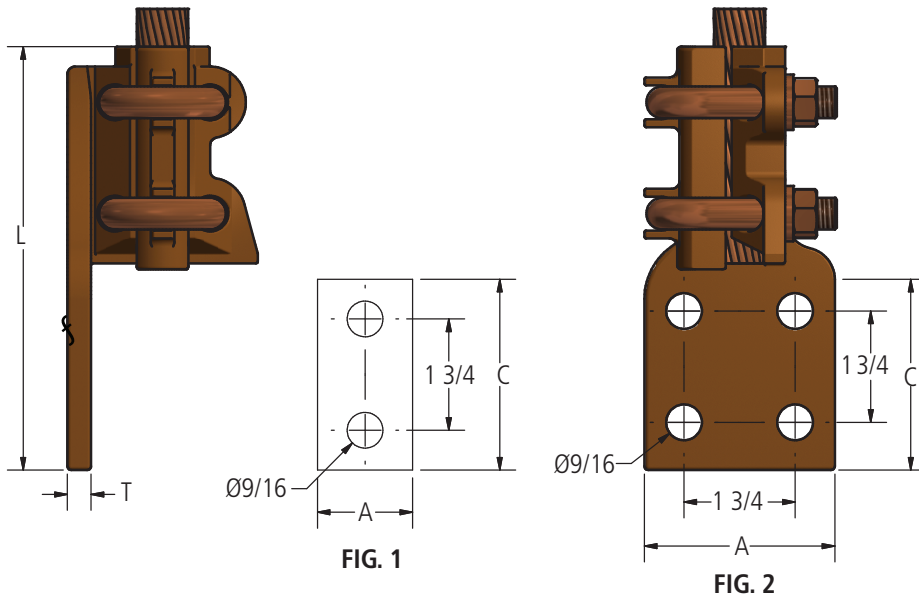


FIG. 1

FIG. 2

Ordering Information

CATALOG NUMBER	CABLE RANGE		FIG. NO.	DIMENSIONS IN INCHES				BOLT SIZE
	MIN	MAX		A	C	L	T	
UL13-2N-90V	6 Str	2/0 Str	1	1 1/2	3 1/4	5 3/4	5/16	5/16
UL13-4N-90V	6 Str	2/0 Str	2	3	3 1/4	5 3/4	5/16	5/16
UL21-2N-90V	1 Str	4/0 Str	1	1 1/2	3 1/4	5 7/8	5/16	3/8
UL21-4N-90V	1 Str	4/0 Str	2	3	3 1/4	5 7/8	5/16	3/8
UL30-2N-90V	1/0 Str	300 MCM	1	1 1/2	3 1/4	6	3/8	3/8
UL30-4N-90V	1/0 Str	300 MCM	2	3	3 1/4	6	3/8	3/8
UL50-2N-90V	300 MCM	500 MCM	1	1 1/2	3 1/4	6 1/4	3/8	3/8
UL50-4N-90V	300 MCM	500 MCM	2	3	3 1/4	6 1/4	3/8	3/8
UL50-4N4-90V	300 MCM	500 MCM	2	4	4 1/4	7 1/4	3/8	3/8
UL80-2N-90V	500 MCM	800 MCM	1	1 1/2	3 1/4	6 1/2	1/2	3/8
UL80-4N-90V	500 MCM	800 MCM	2	3	3 1/4	6 1/2	1/2	3/8
UL80-4N4-90V	500 MCM	800 MCM	2	4	4 1/4	7 1/2	1/2	3/8
UL100-2N-90V	750 MCM	1000 MCM	1	1 1/2	3 1/4	6 3/4	1/2	1/2
UL100-4N-90V	750 MCM	1000 MCM	2	3	3 1/4	6 3/4	1/2	1/2
UL100-4N4-90V	750 MCM	1000 MCM	2	4	4 1/4	7 3/4	1/2	1/2
UL150-2N-90V	1000 MCM	1500 MCM	1	2 3/4	3 1/4	7 1/4	9/16	1/2
UL150-4N-90V	1000 MCM	1500 MCM	2	3	3 1/4	7 1/4	9/16	1/2
UL150-4N4-90V	1000 MCM	1500 MCM	2	4	4 1/4	8 1/4	9/16	1/2
UL200-2N-90V	1500 MCM	2000 MCM	1	3	3 1/4	7 3/4	11/16	1/2
UL200-4N-90V	1500 MCM	2000 MCM	2	3	3 1/4	7 3/4	11/16	1/2
UL200-4N4-90V	1500 MCM	2000 MCM	2	4	4 1/4	8 3/4	11/16	1/2