

DOSSERT®

TYPE UD2E, UD2E-PG Dead End Clamp For Two Conductors

A two conductor variable U-bolt type dead ending clamp with curvature for jumper loop.

Material

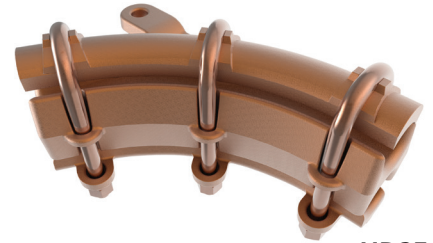
Copper Alloy

Hardware

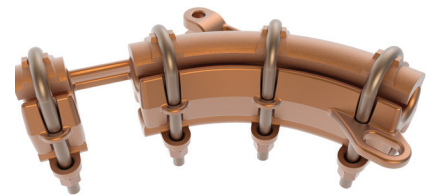
Everdur nuts, U-bolts and lockwashers

Notes

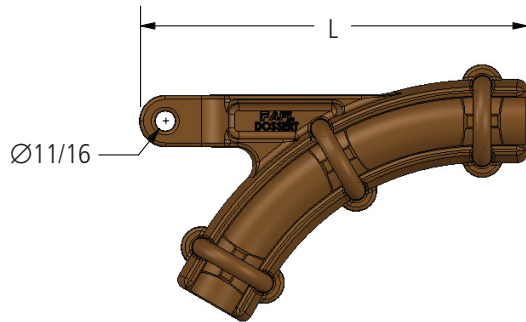
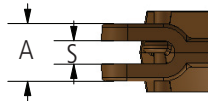
- For a Pulling eye, add suffix "-PG" to end of catalog number. EX: UD2E21-PG



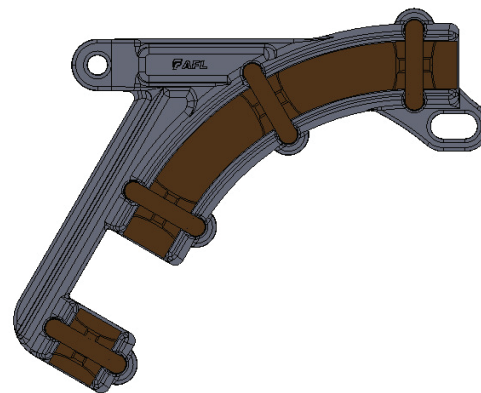
UD2E



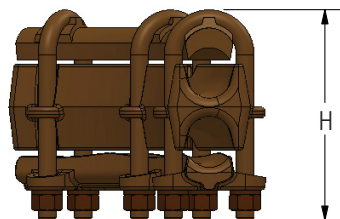
UD2E-PG



UD2E



UD2E-PG



Ordering Information

CATALOG NUMBER	CABLE RANGE		DIMENSIONS IN INCHES				U-BOLT SIZE
	MIN	MAX	A	H	L	S	
UD2E21	2/0 Stranded	4/0 Stranded	1 21/32	3 7/8	8 1/4	3/4	3/8
UD2E35	4/0 Stranded	350 kcmil	1 21/32	4 1/8	8 5/8	3/4	3/8
UD2E50	350 kcmil	500 kcmil	1 21/32	4 3/8	8 5/8	3/4	1/2
UD2E80	500 kcmil	800 kcmil	1 13/16	5	9 1/2	13/16	1/2
UD2E100	600 kcmil	1000 kcmil	1 13/16	5 1/4	9 5/8	13/16	1/2
UD2E150	1250 kcmil	1500 kcmil	1 13/16	6	10 5/8	13/16	1/2
UD2E200	1500 kcmil	2000 kcmil	2	7 9/16	13 7/16	13/16	5/8