

### DOSSERT®

#### TYPE GD

#### Grounding Connector For Flat Bar to Pipe Or Rod

A ground connector for securing a flat bar to a grounding rod or pipe. The flat bar may be assembled in a horizontal or vertical position. Connector can accommodate any thickness of bar.

#### Material

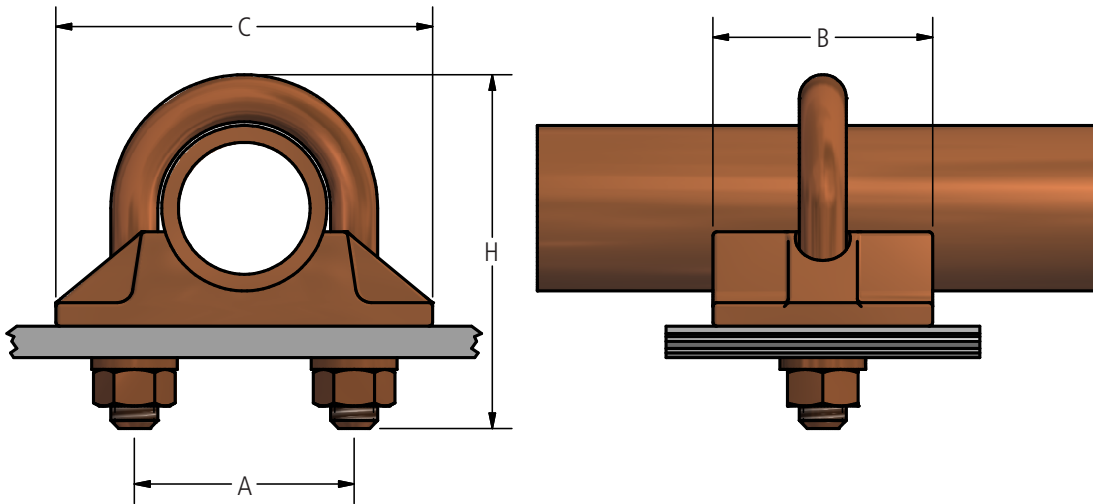
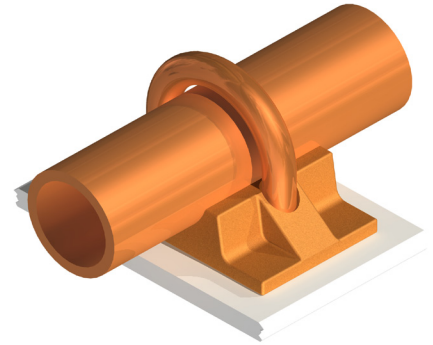
Copper Alloy

#### Hardware

Everdur U-bolts, nuts and lockwashers

#### Note

Where bars to be used will exceed 1/4 inch please contact the Factory due to the necessity of larger U-Bolts.



### Ordering Information

CATALOG NUMBER	GROUNDING		DIMENSIONS IN INCHES				BOLT SIZE
	PIPE SPS	ROD	A	B	C	H	
GD25	1/4	1/2	1	1 1/4	1 7/8	1 3/4	3/8
GD38	3/8	5/8 or 3/4	1 1/8	1 1/4	2	1 7/8	3/8
GD75	1/2 or 3/4	7/8 or 1	1 1/2	1 1/2	2 1/2	2 5/16	3/8
GD100	1	-	1 3/4	1 3/4	2 3/4	2 9/16	3/8
GD125	1 1/4	-	2 1/8	1 3/4	3 1/8	3	3/8
GD150	1 1/2	-	2 3/8	2	3 3/8	3 1/4	3/8
GD200	2	-	2 13/16	2	3 7/8	3 3/4	3/8
GD250	2 1/2	-	3 5/16	2 1/2	4 3/8	4 1/4	3/8
GD300	3	-	4 1/8	2 1/2	5 3/16	5 1/8	1/2
GD350	3 1/2	-	4 5/8	2 3/4	5 3/4	5 9/16	1/2
GD400	4	-	5 1/8	2 3/4	6 1/4	6 3/16	1/2