

## DOSSERT®

### TYPE GR Grounding Connector for Braid to Pipe

A ground connector for grounding flexible braid, laminated copper band, and copper bar to a pipe. Will also accommodate stranded cable when cable is unbraided and flattened out.

#### Material

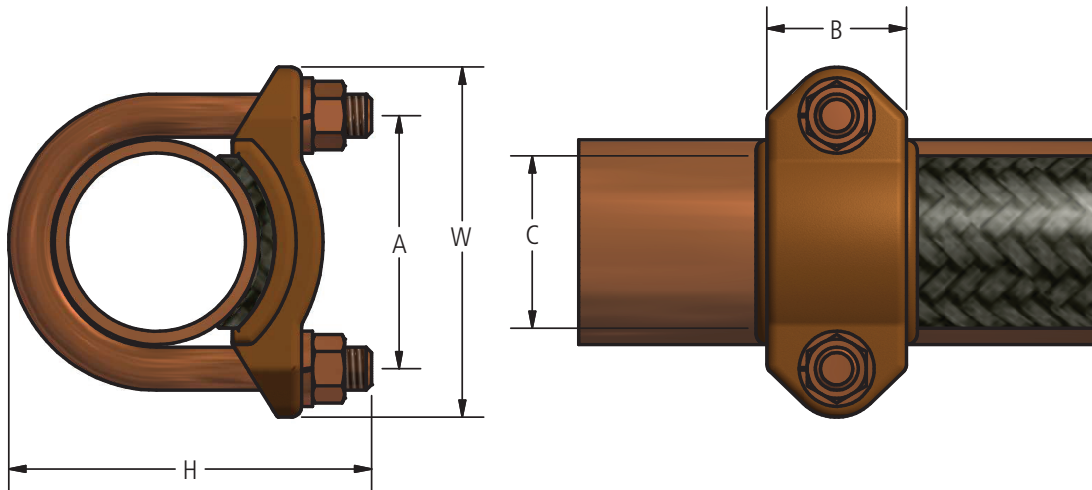
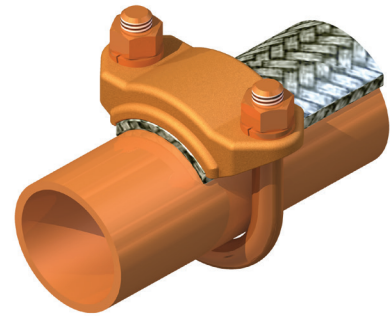
Copper Alloy

#### Hardware

Everdur U-bolts, nuts and lockwashers

#### Notes

- All sizes are not shown; item is available up to 6 inches SPS and other braid-to-pipe configurations.
- For Electro Tin plate, add suffix "-SN" to catalog number. Example: GR400A-SN



### Ordering Information

CATALOG NUMBER	SPS	DIMENSIONS IN INCHES					BOLT SIZE
		A	B	C	H	W	
GR100A	1	1 3/4	1 1/8	1	2 7/8	2 19/32	3/8
GR125A	1 1/4	2 1/8	1 1/4	1	3 3/16	2 15/16	3/8
GR150A	1 1/2	2 5/16	1 1/8	1	3 3/32	3 3/16	3/8
GR150B	1 1/2	2 5/16	1 1/8	1 1/2	3 5/16	3 3/16	3/8
GR200A	2	2 13/16	1 1/4	1	3 15/16	3 21/32	3/8
GR200B	2	2 13/16	1 3/8	1 1/2	3 15/16	3 21/32	3/8
GR200C	2	2 15/16	1 5/8	2	4 1/4	4 1/32	1/2
GR250A	2 1/2	3 7/16	1 5/8	2	4 3/4	4 17/32	1/2
GR250B	2 1/2	3 7/16	1 7/8	2 1/2	4 3/4	4 17/32	1/2
GR300A	3	4 1/8	1 7/8	2	5 7/16	5 5/32	1/2
GR300B	3	4 1/8	1 7/8	2 1/2	5 7/16	5 5/32	1/2
GR300C	3	4 1/8	2 1/8	3	5 7/16	5 5/32	1/2
GR350A	3 1/2	4 5/8	2 1/8	2	5 7/8	5 21/32	1/2
GR350B	3 1/2	4 5/8	2 1/4	2 1/2	5 7/8	5 21/32	1/2
GR350C	3 1/2	4 5/8	2 1/4	3	5 7/8	5 21/32	1/2
GR400A	4	5 1/16	2 1/4	2	6 1/4	6 5/32	1/2
GR400B	4	5 1/16	2 3/8	2 1/2	6 1/4	6 5/32	1/2
GR400C	4	5 1/16	2 3/8	3	6 1/4	6 5/32	1/2