

DOSSERT®

TYPE HSC-90

Copper Stud Connector for Cable or Wire

A HERCULON™ variable type connector for joining a cable or a wire to a threaded stud. The stud end of the connector can also be furnished to accommodate a plain stud or pipe.

Material

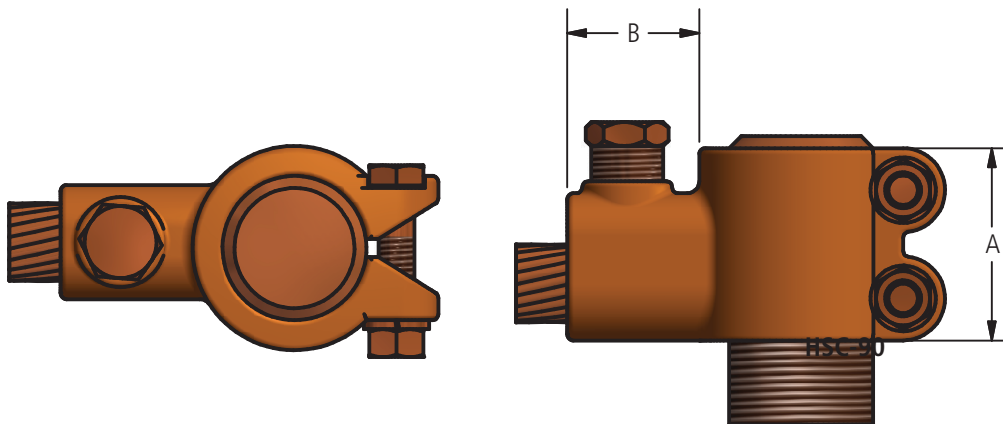
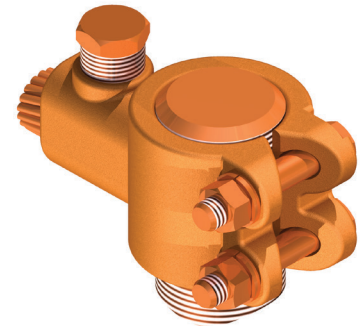
Cast Copper Alloy

Hardware

Everdur bolts, nuts and lockwashers

Notes

- Other sizes of studs and various threads to the inch can be promptly furnished.
- For a 500 MCM cables to a .75" T16 stud at 90° order HSC75-50-90-T16
- For a 500 MCM cable to a .75" T0 stud at 90° order HSC75-50-90-T0



Ordering Information

CATALOG NUMBER	STUD DIA	THREADS PER INCH	CABLE RANGE		DIMENSIONS IN INCHES		BOLT SIZE
			MIN	MAX	A	B	
HSC50-4-90-T13	1/2	13	8 Solid	4 Stranded	2	5/8	3/8
HSC50-8-90-T13	1/2	13	4 Solid	1 Stranded	2	7/8	3/8
HSC50-13-90-T13	1/2	13	1 Stranded	2/0 Stranded	2	1	3/8
HSC50-21-90-T13	1/2	13	2/0 Stranded	4/0 Stranded	2	1 1/8	3/8
HSC63-13-90-T18	5/8	18	1 Stranded	2/0 Stranded	2	1	3/8
HSC63-21-90-T18	5/8	18	2/0 Stranded	4/0 Stranded	2	1 1/8	3/8
HSC63-30-90-T18	5/8	18	4/0 Stranded	300 MCM	2	1 9/32	3/8
HSC75-13-90-T16	3/4	16	1 Stranded	2/0 Stranded	2	1	3/8
HSC75-21-90-T16	3/4	16	2/0 Stranded	4/0 Stranded	2	1 1/8	3/8
HSC75-30-90-T16	3/4	16	4/0 Stranded	300 MCM	2	1 9/32	3/8
HSC75-50-90-T16	3/4	16	300 MCM	500 MCM	2	1 1/2	3/8
HSC100-13-90-T14	1	14	1 Stranded	2/0 Stranded	2	1	3/8
HSC100-21-90-T14	1	14	2/0 Stranded	4/0 Stranded	2	1 1/8	3/8
HSC100-30-90-T14	1	14	4/0 Stranded	300 MCM	2	1 9/32	3/8
HSC100-50-90-T14	1	14	300 MCM	500 MCM	2	1 1/2	3/8
HSC100-75-90-T14	1	14	500 MCM	750 MCM	2	1 5/8	3/8
HSC125-21-90-T12	1 1/4	12	2/0 Stranded	4/0 Stranded	2	1 1/8	3/8
HSC125-30-90-T12	1 1/4	12	4/0 Stranded	300 MCM	2	1 9/32	3/8
HSC125-50-90-T12	1 1/4	12	300 MCM	500 MCM	2	1 1/2	3/8
HSC125-75-90-T12	1 1/4	12	500 MCM	750 MCM	2	1 5/8	3/8
HSC125-100-90-T12	1 1/4	12	750 MCM	1000 MCM	2 3/4	1 15/16	1/2
HSC150-30-90-T12	1 1/2	12	4/0 Stranded	300 MCM	2	1 9/32	3/8
HSC150-50-90-T12	1 1/2	12	300 MCM	500 MCM	2	1 1/2	3/8
HSC150-75-90-T12	1 1/2	12	500 MCM	750 MCM	2	1 5/8	3/8
HSC150-100-90-T12	1 1/2	12	750 MCM	1000 MCM	2 3/4	1 15/16	1/2