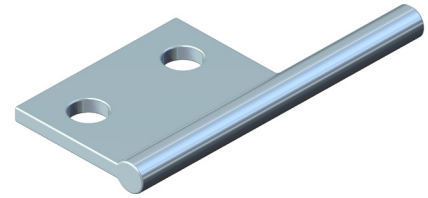


DOSSERT®

Type MTRC, MTR2C, and MTR3C Multiple Tie Transformer Connector

A multiple tie transformer connector which provides a convenient means of connecting a number of cables to a single transformer terminal. Allows maximum conductor sizes to be run directly to the transformer, thereby minimizing voltage drop.

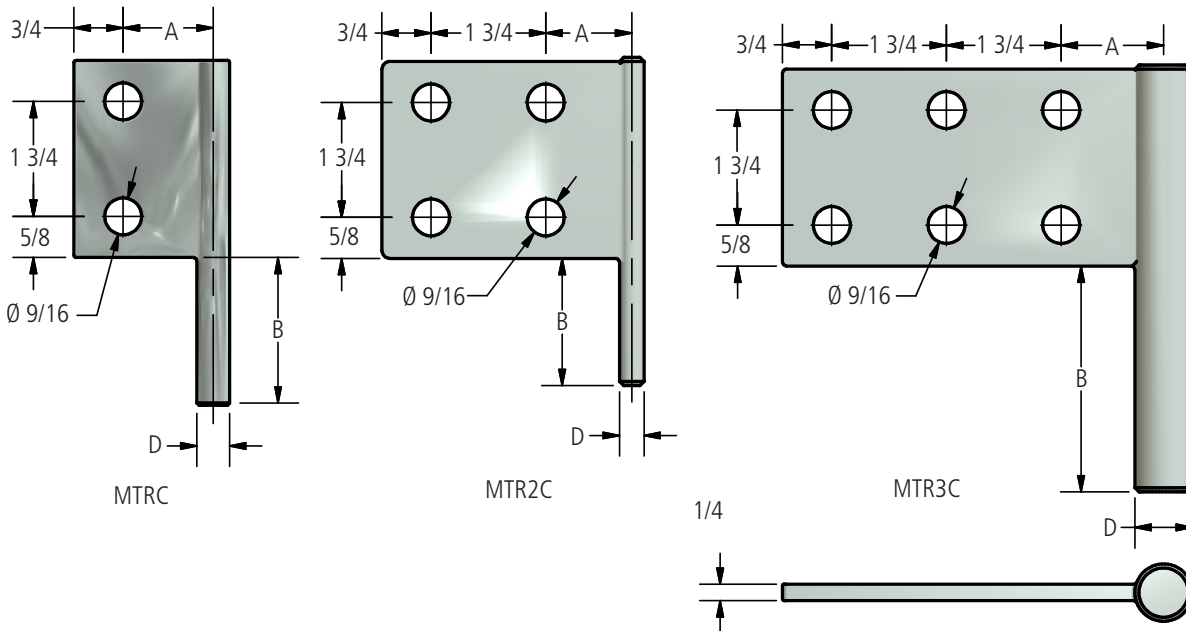


Material

Tin plated copper

Hardware

- MTR2C: Four hole NEMA standard drilled contact.
- MTR3C: Six hole NEMA standard drilled contact.



Ordering Information

CATALOG NUMBER			DIMENSIONS IN INCHES		
MTRC	MTR2C	MTR3C	A	B	D
MTRC-38	MTR2C-38	MTR3C-38	1 3/8	2	3/8
MTRC-56	MTR2C-56	MTR3C-56	1 1/2	2 1/4	9/16
MTRC-75	MTR2C-75	MTR3C-75	1 9/16	2 3/4	3/4
MTRC-88	MTR2C-88	MTR3C-88	1 5/8	3 1/2	7/8
MTRC-112	MTR2C-112	MTR3C-112	1 3/4	4	1 1/8