

DOSSERT®

TYPE TGC

Grounding Connector For Cable To Transformer Ground Pad

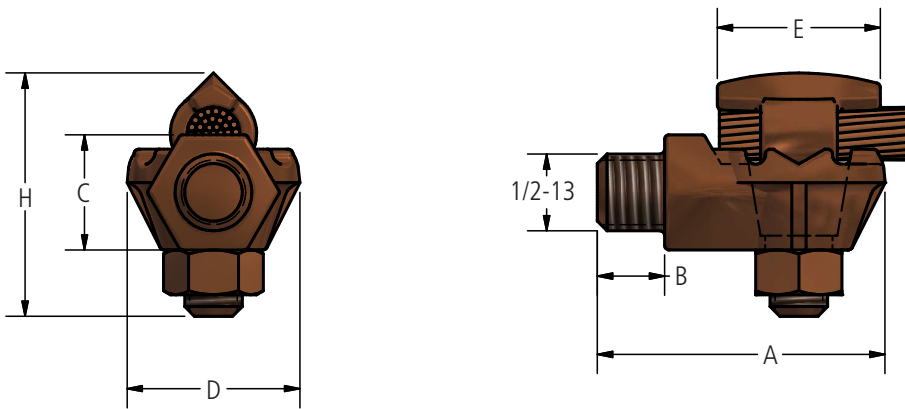
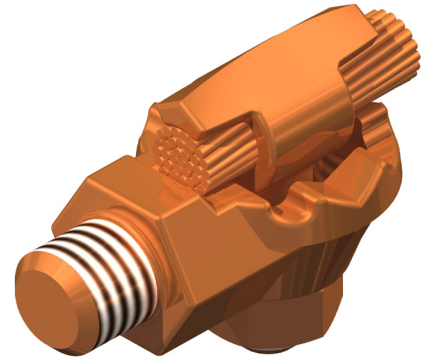
This connector is designed for transformer grounding pads having 1/2-13 NC tapped hole. Connector stud possesses a slight taper to insure sound electrical contact without need for locking devices. Hex surface adjacent to stud is provided to facilitate tightening of connector. Designed specifically for use on all standard EE-1-NEMA distribution transformers.

Material

Copper Alloy

Hardware

Everdur nuts and lockwashers



Ordering Information

CATALOG NUMBER	ACSR RANGE		DIMENSIONS IN INCHES						BOLT SIZE
	MIN	MAX	A	B	C	D	H	E	
TGC8-50	#10 SOL	#1 STR	1 7/8	7/16	3/4	1 1/8	1 5/8	1 1/16	3/8
TGC13-50	#8 SOL	2/0 STR	2 1/8	7/16	5/8	1 1/4	1 3/4	1 1/4	3/8
TGC25-50	#6 STR	250 MCM	2 3/8	7/16	3/4	1 9/16	1 3/4	1 3/8	1/2