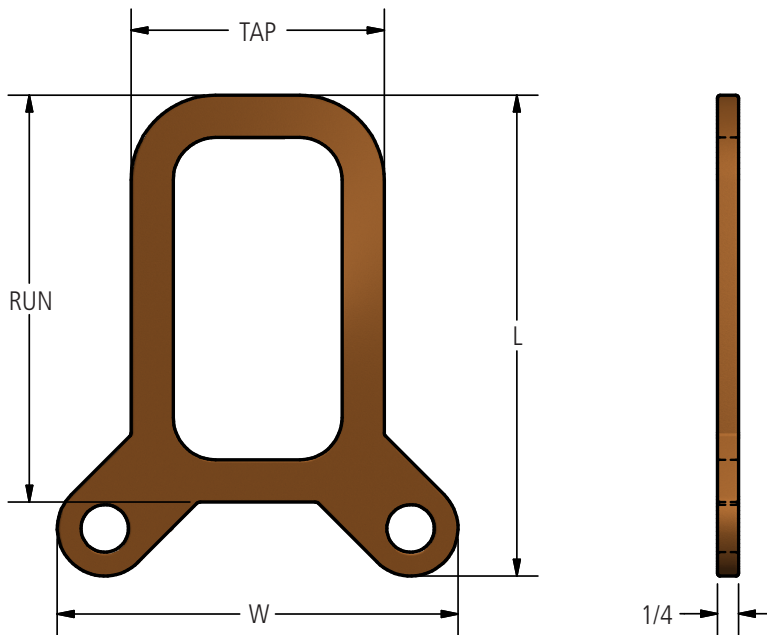
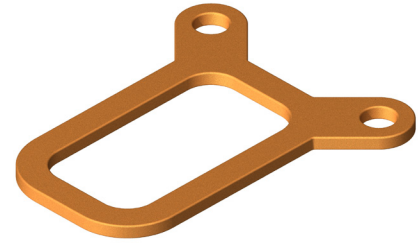


DOSSERT® TYPE BS

A bronze spacer for a standard bus bar spacing of 1/4 inch. Designed for use with both A and H clamps.

Material

Copper Alloy



Ordering Information

CATALOG NUMBER	WIDTH OF BARS		DIMENSIONS IN INCHES		BOLT SIZE
	RUN	TAP	L	W	
BS11	1	1	1 5/8	2 5/16	3/8
BS21	2	1	2 5/8	2 5/16	3/8
BS22	2	2	2 5/8	3 5/16	3/8
BS31	3	1	3 5/8	2 5/16	3/8
BS32	3	2	3 5/8	3 5/16	3/8
BS33	3	3	3 5/8	4 5/16	3/8
BS42	4	2	4 5/8	3 5/16	3/8
BS43	4	3	4 3/4	4 3/4	1/2
BS44	4	4	4 3/4	5 3/4	1/2
BS52	5	2	5 3/4	3 5/8	1/2
BS53	5	3	5 3/4	4 3/4	1/2
BS54	5	4	5 3/4	5 3/4	1/2
BS55	5	5	5 7/8	7 1/8	5/8
BS62	6	2	6 3/4	3 5/8	1/2
BS63	6	3	6 3/4	4 3/4	1/2
BS64	6	4	6 3/4	5 3/4	1/2
BS65	6	5	6 7/8	7 1/8	5/8
BS66	6	6	6 7/8	8 1/8	5/8