

DOSSERT[®] TYPE SAVS, SHVS

Sliding Vertical Bus Support For Multiple Flat Bars

Four types of sliding bus support clamps for supporting one or more flat bars in a vertical or upright position. The slotted base provides for 1 1/4 inch of axial traverse. Accommodates any number of bars. Types SAVSD and SHVSD allows for double stack mounting by the provision of a 2 3/8 inch spacer for single or multi-bar systems. Unless otherwise specified types SAVS and SHVS are supplied without spacers and types SAVSD and SHVSD are supplied with only the 2 3/8 inch double stack spacer. Supplied with cap screws for cap mounting or bolts and nuts for base mounting.

Material

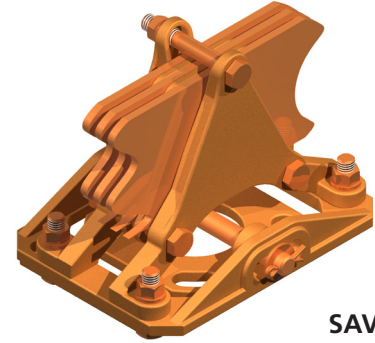
Copper Alloy

Hardware

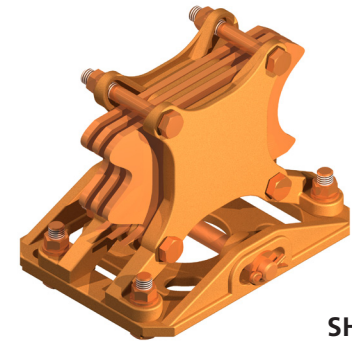
Everdur bolts, nuts, lockwashers, flat washers, and stainless steel cotter pin
Mounting hardware galvanized steel

Note

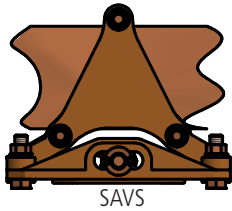
- For additional spacers for 1/4 inch bars spaced 1/4 inch apart please contact AFL
- When ordering add the number of bars to be supported to the end of the catalog number and state bar thickness if other than 1/4 inch. Example: SAVS3-3-4



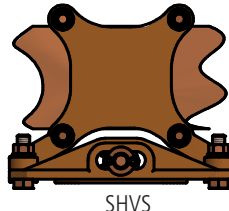
SAVS



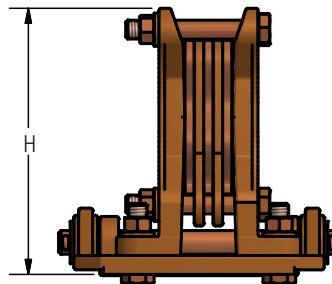
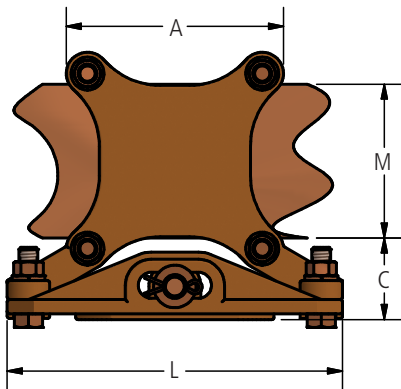
SHVS



SAVS



SHVS



Ordering Information

CATALOG NUMBER		WIDTH OF BARS M	BOLT CIRCLE	DIMENSIONS IN INCHES				BOLT SIZE
SAVS	SHVS			A	C	H	L	
SAVS3-3	SHVS3-3	3	3	4 5/16	1 3/8	5 3/8	7 3/8	3/8
SAVS3-5	SHVS3-5	3	5	4 5/16	1 1/2	5 1/2	9 3/8	3/8
SAVS4-3	SHVS4-3	4	3	4 3/4	1 7/8	6 3/4	7 7/8	1/2
SAVS4-5	SHVS4-5	4	5	5 3/4	2	6 7/8	9 5/16	1/2
SAVS5-3	SHVS5-3	5	3	4 3/4	1 7/8	7 3/4	7 7/8	1/2
SAVS5-5	SHVS5-5	5	5	5 3/4	2	7 7/8	9 5/16	1/2
SAVS6-3	SHVS6-3	6	3	4 3/4	1 7/8	8 3/4	7 7/8	1/2
SAVS6-5	SHVS6-5	6	5	5 3/4	2	8 7/8	9 5/16	1/2