

DOSSERT® TYPE SAV, SAVD, SHV, SHVD

Vertical Bus Support Clamps

A vertical support clamp for supporting one or more flat bus bars in a vertical or upright position. SAV and SHV does not include a spacer, SAVD and SHVD includes a single wide spacer only.

Material

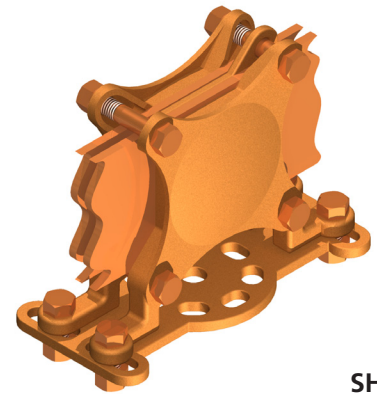
Copper Alloy

Note

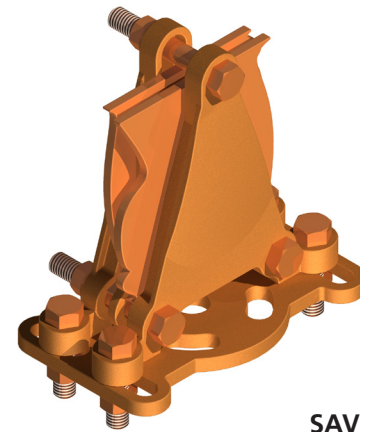
Suffix to the catalog number the number of bars to be supported. EX: SAV4-5-4

Hardware

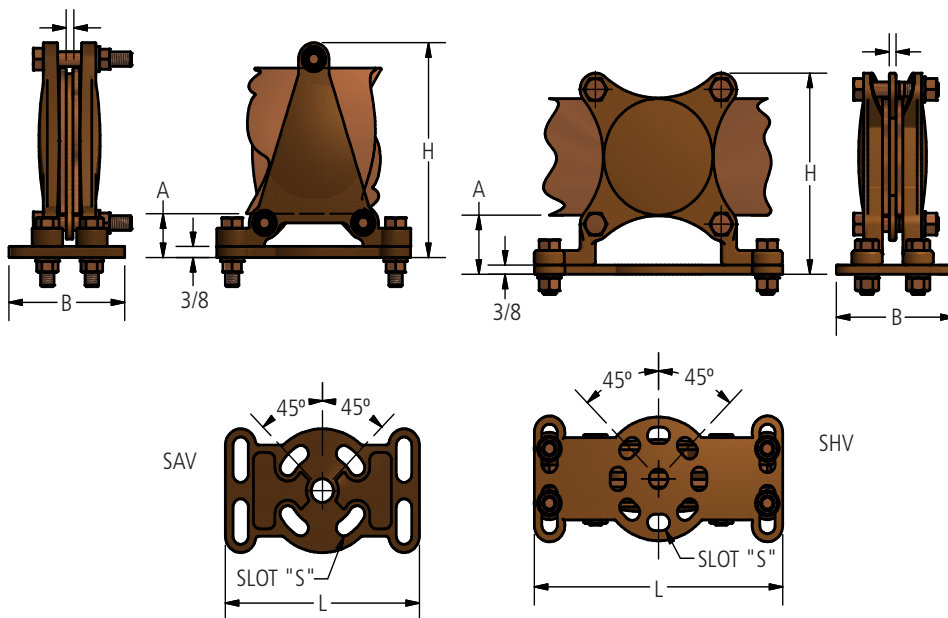
Everdur bolts, nuts and lockwashers
Mounting hardware galvanized steel



SHV



SAV



Ordering Information

CATALOG NUMBER		A	CATALOG NUMBER		A	DIMENSIONS IN INCHES				
SAV	SAVD		SHV	SHVD		WIDTH OF BARS	BOLT CIRCLE	B	H	L
SAV2-3	SAVD2-3	1-3/4	SHV2-3	SHVD2-3	1-3/4	2	3	4-1/4	4-7/16	8-1/8
SAV2-5	SAVD2-5	1-3/4	SHV2-5	SHVD2-5	1-3/4	2	5	4-1/4	4-7/16	8-1/8
SAV3-3	SAVD3-3	1-3/4	SHV3-3	SHVD3-3	1-3/4	3	3	4-1/4	5-7/16	8-1/8
SAV3-5	SAVD3-5	1-3/4	SHV3-5	SHVD3-5	1-3/4	3	5	4-1/4	5-7/16	8-1/8
SAV4-3	SAVD4-3	1-3/4	SHV4-3	SHVD4-3	1-3/4	4	3	4-1/4	6-3/4	8-1/8
SAV4-5	SAVD4-5	1-3/4	SHV4-5	SHVD4-5	1-3/4	4	5	4-1/4	6-3/4	7-1/8
SAV5-3	SAVD5-3	1-3/4	SHV5-3	SHVD5-3	1-3/4	5	3	4-1/4	7-3/4	7-1/8
SAV5-5	SAVD5-5	1-3/4	SHV5-5	SHVD5-5	1-3/4	5	5	4-1/4	7-3/4	7-1/8
SAV6-3	SAVD6-3	1-3/4	SHV6-3	SHVD6-3	2	6	3	4-1/4	8-15/16	7-1/8
SAV6-5	SAVD6-5	1-3/4	SHV6-5	SHVD6-5	2	6	5	4-1/4	8-15/16	7-1/8