

DOSSERT® TYPE SSHH, SSHHD Horizontal Sliding Bus Support

A horizontal type sliding bus support clamp for supporting one or more flat bars. The axle type support with slotted bracket provides for a 1 1/4 inch traverse. Accommodates any number of bars. Type SSHHD allows for double stack mounting by the provision of a 2 3/8 inch spacer for single bar or multi-bar systems. Unless otherwise specified type SSHH is supplied without spacers and type SSHHD is supplied with only the 2 3/8 inch double stack spacer. Supplied with cap screws for cap mounting or bolts and nuts for base mounting.

Material

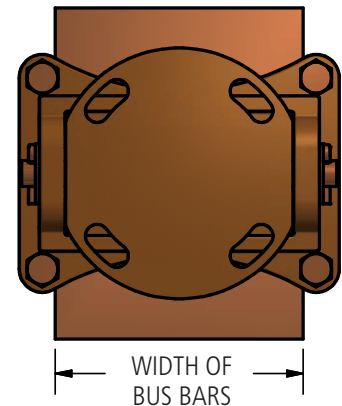
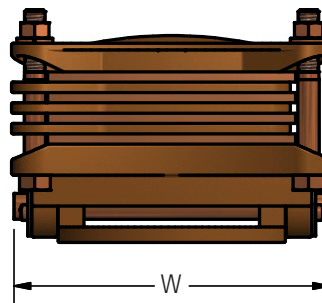
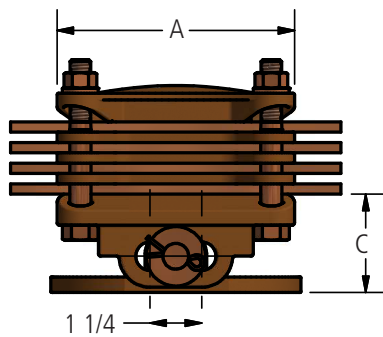
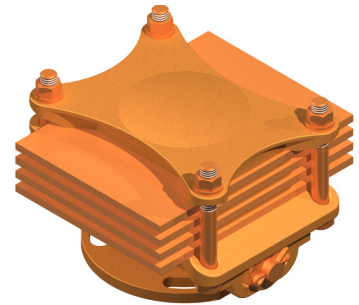
Copper Alloy

Hardware

Everdur bolts, nuts, lockwashers, flat washers, and stainless steel cotter pin
Mounting hardware galvanized steel

Note

- When ordering suffix the number of bars to be supported to catalog number and state bar thickness if other than 1/4 inch.
- For additional spacers for 1/4 inch bars spaced 1/4 inch apart please contact Dossert.



Ordering Information

CATALOG NUMBER	WIDTH OF BUS BARS	BOLT CIRCLE	DIMENSIONS IN INCHES			BOLT SIZE	
			A	C	W		
SSHH2-3	SSHH2-3	2	3	4 5/16	2 1/8	6 3/4	3/8
SSHH2-5	SSHH2-5	2	5	4 5/16	2 1/4	6 3/4	3/8
SSHH3-3	SSHH3-3	3	3	4 5/16	2 1/8	6 3/4	3/8
SSHH3-5	SSHH3-5	3	5	4 5/16	2 1/4	6 3/4	3/8
SSHH4-3	SSHH4-3	4	3	4 3/4	2 1/4	7 1/4	1/2
SSHH4-5	SSHH4-5	4	5	4 3/4	2 1/2	7 1/4	1/2
SSHH5-3	SSHH5-3	5	3	5 3/4	2 3/8	7 3/8	1/2
SSHH5-5	SSHH5-5	5	5	5 3/4	2 5/8	7 3/8	1/2
SSHH6-3	SSHH6-3	6	3	5 3/4	2 3/8	7 3/4	1/2
SSHH6-5	SSHH6-5	6	5	5 3/4	2 5/8	7 3/4	1/2