

## DOSSERT® TYPE PA, PAP

### Bus Support For Circle Mount Insulators

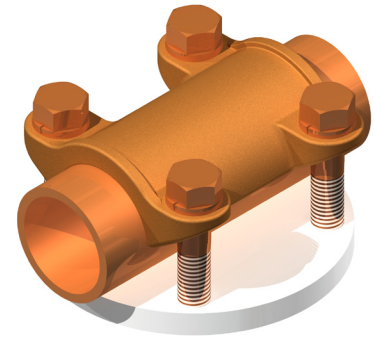
A single cap four bolt bus support for mounting on insulator bolt circle positions. Type PA clamps bus directly to insulator while type PAP is provided with an under saddle conforming to bus diameter for higher clamping pressure. Both types can be furnished with cap screws for cap mounting or bolts and nuts for base mounting. Unless otherwise specified supports are furnished for cap and mounting as illustrated.

#### Material

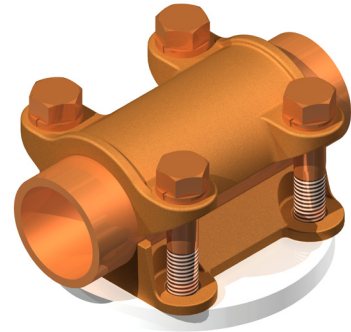
Copper Alloy

#### Hardware

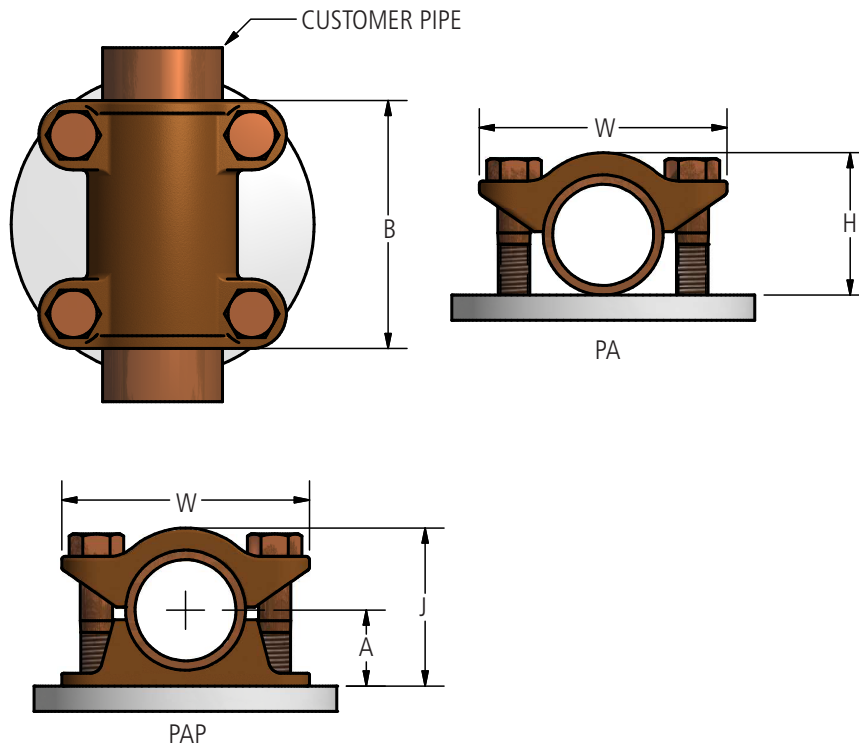
Everdur bolts, lockwashers



PA



PAP



### Ordering Information

CATALOG NUMBER		SPS	BOLT CIRCLE	DIMENSIONS IN INCHES					
				A	B	H	J	W	BOLT SIZE
PA50-3	PAP50-3	1/2	3	3/4	3 1/4	1 3/8	1 11/16	3 1/4	1/2
PA50-5	PAP50-5	1/2	5	3/4	4 15/16	1 1/2	1 13/16	4 15/16	5/8
PA75-3	PAP75-3	3/4	3	7/8	3 1/4	1 9/16	1 15/16	3 1/4	1/2
PA75-5	PAP75-5	3/4	5	7/8	4 15/16	1 11/16	2 1/16	4 15/16	5/8
PA100-3	PAP100-3	1	3	1	3 1/4	1 3/4	2 1/8	3 1/4	1/2
PA100-5	PAP100-5	1	5	1	4 15/16	2	2 5/16	4 15/16	5/8
PA125-3	PAP125-3	1 1/4	3	1 1/8	3 1/4	2 1/8	2 7/15	3 1/4	1/2
PA125-5	PAP125-5	1 1/4	5	1 1/8	4 15/16	2 3/8	2 11/16	4 15/16	5/8
PA150-5	PAP150-5	1 1/2	5	1 1/4	4 15/16	2 7/16	2 3/4	4 15/16	5/8
PA200-5	PAP200-5	2	5	1 1/2	4 15/16	2 3/4	3 1/16	4 15/16	5/8
PA250-5	PAP250-5	2 1/2	5	1 3/4	4 15/16	3 5/16	3 5/8	4 15/16	5/8