

DOSSERT®

TYPE PL

Pipe Bus Support Slide or Tight Fit

A two bolted clamp type high strength bronze bus support. This unit is non-magnetic and corrosion resistant. The design of this support permits a minimum radius of gyration about the support mounting thus minimizing cantilever stresses. Type PL is both a tight and slip fit action clamp with either action obtained by reversing cap.

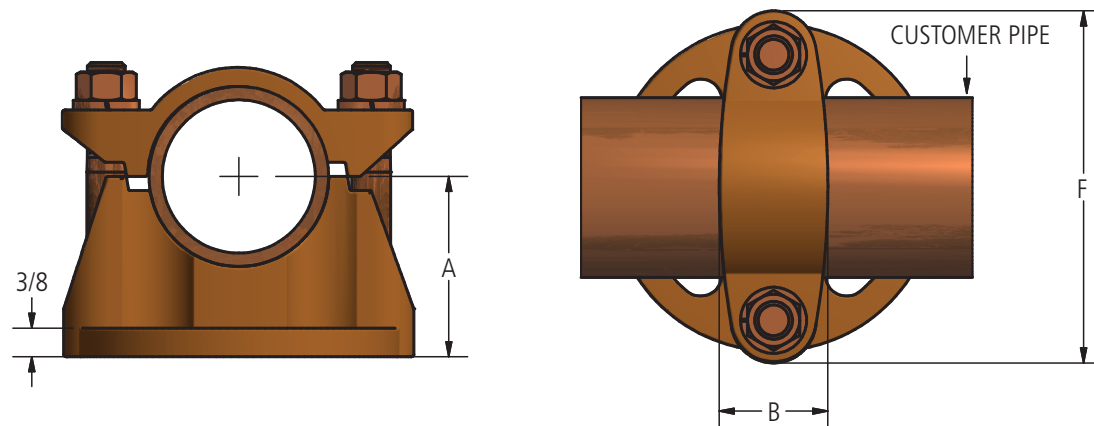
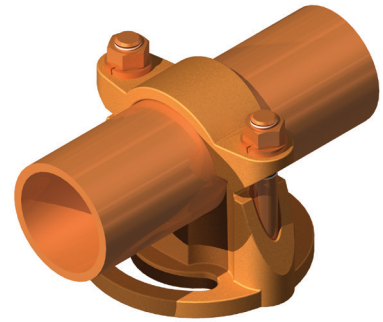
Material

Copper Alloy

Hardware

Everdur bolts, nuts and lockwashers

Mounting hardware galvanized steel



Ordering Information

CATALOG NUMBER	SPS	BOLT CIRCLE	DIMENSIONS IN INCHES			BOLT SIZE
			A	B	F	
PL75-3	3/4	3	1 3/8	1 1/2	4 1/4	1/2
PL75-5	3/4	5	1	1 1/2	6 1/4	1/2
PL100-3	1	3	1 5/8	1 1/2	4 1/4	1/2
PL100-5	1	5	1 1/8	1 1/2	6 1/4	1/2
PL125-3	1 1/4	3	1 3/4	1 11/16	4 1/4	1/2
PL125-5	1 1/4	5	1 3/8	1 11/16	6 1/4	1/2
PL150-3	1 1/2	3	2	1 11/16	4 1/4	1/2
PL150-5	1 1/2	5	1 1/2	1 11/16	6 1/4	1/2
PL200-3	2	3	2 3/8	1 11/16	4 1/4	1/2
PL200-5	2	5	2 1/4	1 11/16	6 1/4	1/2
PL250-3	2 1/2	3	2 5/8	1 3/4	4 1/4	1/2
PL250-5	2 1/2	5	2 1/2	1 3/4	6 1/4	1/2
PL300-3	3	3	2 7/8	1 13/16	5 5/8	5/8
PL300-5	3 1/2	5	3	1 3/4	6 1/4	5/8