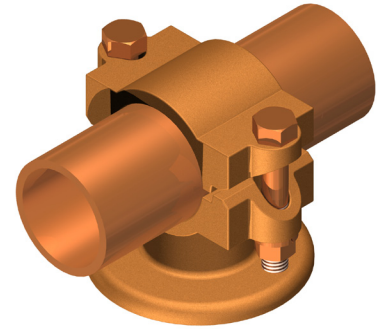


### DOSSERT®

#### TYPE PLC

#### Bus Support For Tubular Bus To Insulator

A bus support for mounting a tubular bus to a 3/4-10 NC 2 center tapped insulator. The center tap mounting permits any angular arrangement for bus positioning while a reversible cap allows for slip fit or tight clamping on bus. Other thread sizes for center mounting can be readily supplied.



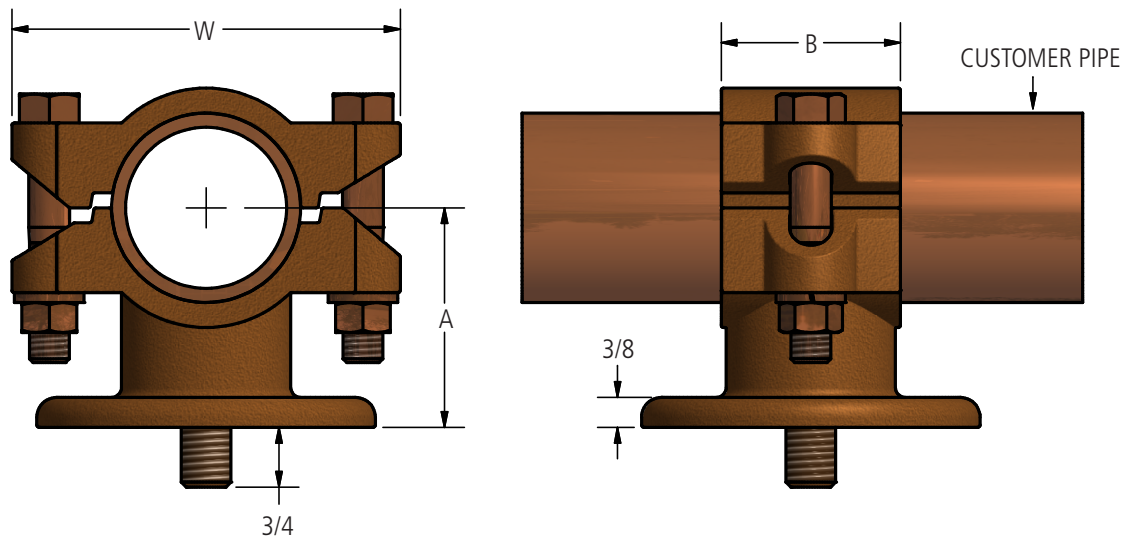
#### Material

Copper Alloy

#### Hardware

Everdur bolts, nuts and lockwashers

Mounting hardware galvanized steel



#### Ordering Information

CATALOG NUMBER	SPS	DIMENSIONS IN INCHES			BOLT SIZE
		A	B	W	
PLC50	1/2	1 3/4	1 3/4	2 3/8	3/8
PLC75	3/4	2	1 1/2	2 9/16	3/8
PLC100	1	2	1 1/2	2 7/8	3/8
PLC125	1 1/4	2 1/4	2	3 1/2	1/2
PLC150	1 1/2	2 1/2	2	3 13/16	1/2
PLC200	2	2 3/4	2 1/4	4 1/4	1/2
PLC250	2 1/2	3 1/8	2 1/4	4 3/4	1/2
PLC300	3	3 5/8	2 1/2	5 7/8	5/8
PLC350	3 1/2	4	2 1/2	6 3/8	5/8
PLC400	4	4 1/2	2 1/2	6 7/8	5/8