

## DOSSERT® TYPE PSSR, PSSR-CH

### Tubular Bus Support

A high strength bronze support for securing a tubular bus to a post or pedestal type insulator. Fully adjustable to any angle within a complete circle (360°) with the advantage of four bolts maintaining angular setting as well as mounting pressure. Reversible cap permits rigid or slip fit on conductor. Supplied with cap screws for insulator cap mounting or bolts and nuts for base mounting. Unless otherwise specified cap screws are supplied.

#### Material

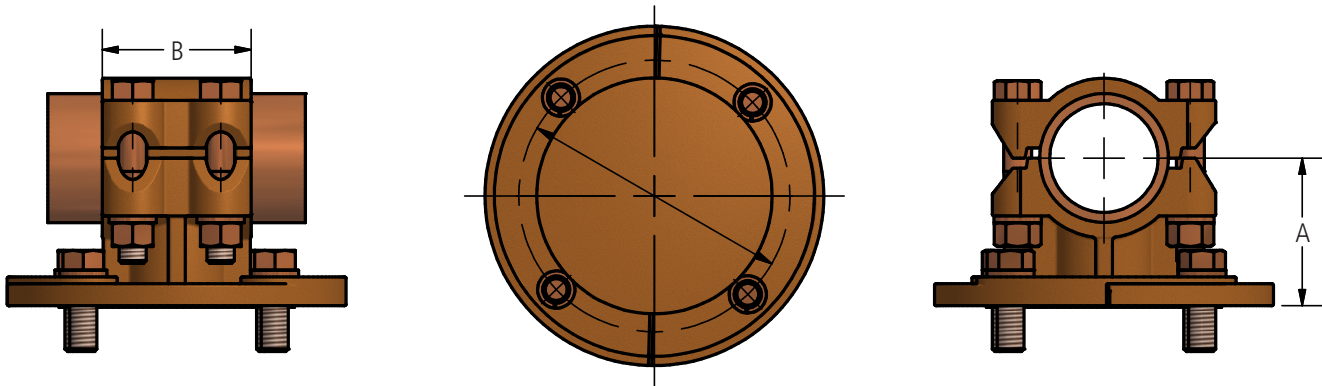
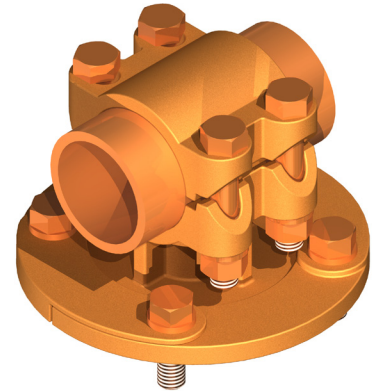
Copper Alloy

#### Hardware

Everdur bolts, nuts and lockwashers  
Mounting hardware galvanized steel

#### Note

Add suffix "CH" to catalog number for chatter spring. EX: PSSR200-5-CH



### Ordering Information

CATALOG NUMBER		SPS	BOLT CIRCLE	DIMENSIONS IN INCHES		BOLT SIZE CAP
STANDARD	CHATTER SPRING			A	B	
PSSR50-3	PSSR50-3-CH	1/2	3	1 3/4	2 1/8	3/8
PSSR50-5	PSSR50-5-CH	1/2	5	2 1/8	2 1/8	3/8
PSSR75-3	PSSR75-3-CH	3/4	3	2	2 1/8	3/8
PSSR75-5	PSSR75-5-CH	3/4	5	2 1/4	2 1/8	3/8
PSSR100-3	PSSR100-3-CH	1	3	2	2 1/8	3/8
PSSR100-5	PSSR100-5-CH	1	5	2 1/4	2 1/8	3/8
PSSR125-3	PSSR125-3-CH	1 1/4	3	2 1/4	2 1/4	1/2
PSSR125-5	PSSR125-5-CH	1 1/4	5	2 3/8	2 1/4	1/2
PSSR150-3	PSSR150-3-CH	1 1/2	3	2 1/2	2 1/2	1/2
PSSR150-5	PSSR150-5-CH	1 1/2	5	2 1/2	2 1/2	1/2
PSSR200-3	PSSR200-3-CH	2	3	2 3/4	2 3/4	1/2
PSSR200-5	PSSR200-5-CH	2	5	2 3/4	2 3/4	1/2
PSSR250-3	PSSR250-3-CH	2 1/2	3	3 1/8	3	1/2
PSSR250-5	PSSR250-5-CH	2 1/2	5	3 1/8	3	1/2
PSSR300-3	PSSR300-3-CH	3	3	3 5/8	3 1/4	5/8
PSSR300-5	PSSR300-5-CH	3	5	3 5/8	3 1/4	5/8
PSSR350-3	PSSR350-3-CH	3 1/2	3	4	3 1/4	5/8
PSSR350-5	PSSR350-5-CH	3 1/2	5	4	3 1/4	5/8
PSSR400-3	PSSR400-3-CH	4	3	4 1/2	3 1/4	5/8
PSSR400-5	PSSR400-5-CH	4	5	4 1/2	3 1/4	5/8