

### DOSSERT® TYPE PSS, PSS-CH

#### Pipe Bus Support Slide or Tight Fit

A high strength copper support for securing a tubular bus to a post or pedestal type insulator. Reversible cap permits rigid or slip fit on conductor. Designed with a high resistance to impact and sustained cantilever and torsion stresses. Entire unit is non-magnetic and corrosion resistant.

#### Material

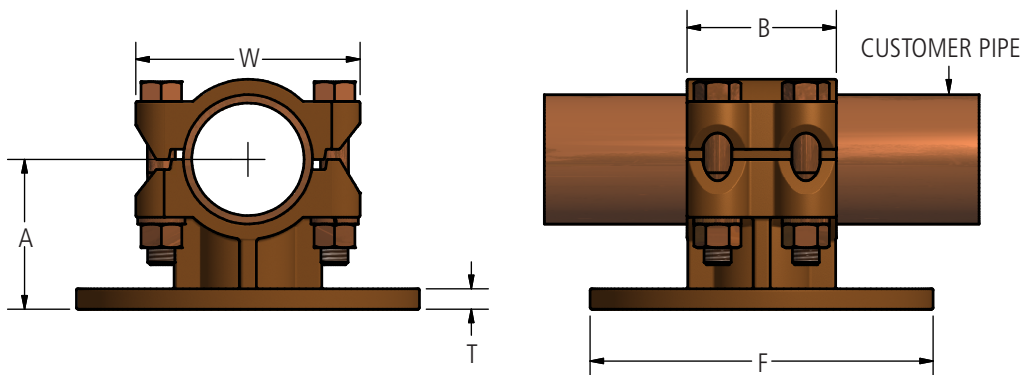
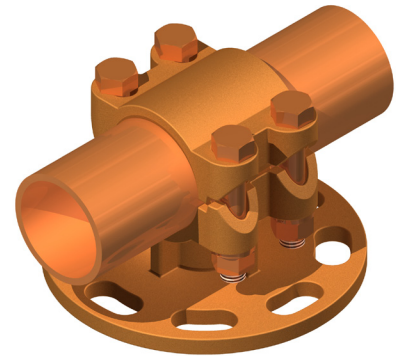
Copper Alloy

#### Note

For a chatter spring add suffix "CH" to catalog number.

#### Hardware

Everdur bolts, nuts and lockwashers  
Mounting hardware galvanized steel



### Ordering Information

CATALOG NUMBER		SPS	BOLT CIRCLE	DIMENSIONS IN INCHES					BOLT SIZE
STANDARD	CHATTER SPRING			A	B	F	T	W	
PSS50-3	PSS50-3-CH	1/2	3	1 3/4	2 1/2	4 1/4	3/8	2 5/8	1/2
PSS50-5	PSS50-5-CH	1/2	5	2 1/8	2 1/2	6 1/4	3/8	2 5/8	1/2
PSS75-3	PSS75-3-CH	3/4	3	2	2 3/4	4 1/4	3/8	2 13/16	1/2
PSS75-5	PSS75-5-CH	3/4	5	2 1/4	2 3/4	6 1/4	3/8	2 13/16	1/2
PSS100-3	PSS100-3-CH	1	3	2	2 3/4	4 1/4	3/8	3 1/16	1/2
PSS100-5	PSS100-5-CH	1	5	2 1/4	2 3/4	6 1/4	3/8	3 1/16	1/2
PSS125-3	PSS125-3-CH	1 1/4	3	2 1/4	3	4 1/4	3/8	3 13/32	1/2
PSS125-5	PSS125-5-CH	1 1/4	5	2 3/8	3	6 1/4	3/8	3 13/32	1/2
PSS150-3	PSS150-3-CH	1 1/2	3	2 1/2	3	4 1/4	3/8	3 21/32	1/2
PSS150-5	PSS150-5-CH	1 1/2	5	2 1/2	3	6 1/4	3/8	3 21/32	1/2
PSS200-3	PSS200-3-CH	2	3	2 3/4	3 1/4	4 1/4	3/8	4 1/8	1/2
PSS200-5	PSS200-5-CH	2	5	2 3/4	3 1/4	6 1/4	3/8	4 1/8	1/2
PSS250-3	PSS250-3-CH	2 1/2	3	3 1/8	3 1/4	4 1/4	3/8	4 5/8	1/2
PSS250-5	PSS250-5-CH	2 1/2	5	3 1/8	3 1/4	6 1/4	3/8	4 5/8	1/2
PSS300-3	PSS300-3-CH	3	3	3 5/8	3 3/4	4 1/4	7/16	4 5/8	5/8
PSS300-5	PSS300-5-CH	3	5	3 5/8	3 3/4	6 1/4	7/16	4 5/8	5/8
PSS350-3	PSS350-3-CH	3 1/2	3	4	3 3/4	4 1/4	7/16	6 1/8	5/8
PSS350-5	PSS350-5-CH	3 1/2	5	4	3 3/4	6 1/4	7/16	6 1/8	5/8
PSS400-3	PSS400-3-CH	4	3	4 1/2	3 3/4	4 1/4	7/16	6 5/8	5/8
PSS400-5	PSS400-5-CH	4	5	4 1/2	3 3/4	6 1/4	7/16	6 5/8	5/8
PSS450-3	PSS450-3-CH	4 1/2	3	4 3/4	3 3/4	4 1/4	7/16	7 1/8	5/8
PSS450-5	PSS450-5-CH	4 1/2	5	4 3/4	3 3/4	6 1/4	7/16	7 1/8	5/8
PSS500-3	PSS500-3-CH	5	3	5	3 3/4	4 1/4	7/16	7 5/8	5/8
PSS500-5	PSS500-5-CH	5	5	5	3.75	6 1/4	7/16	7 5/8	5/8
PSS600-5	PSS600-5-CH	6	5	6	3.75	6 1/4	7/16	7 5/8	5/8