

DOSSERT® TYPE SBC

Sliding Bus Support For Tubular Bus

A sliding bus support coupler for standard pipe size tubular bus. Finds wide application where short membered tubular buses are to be joined and supported on structural members or insulators. Complete unit is corrosion resistant and nonmagnetic.

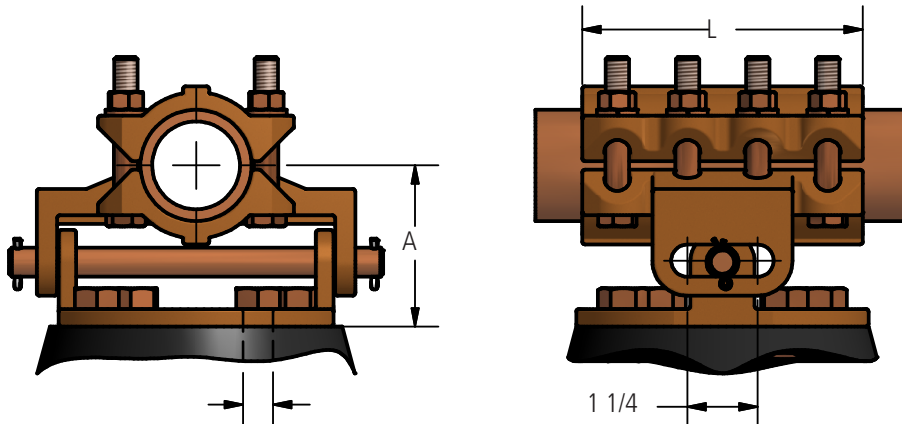
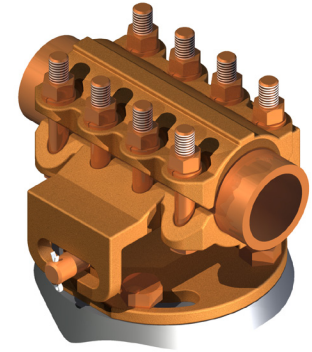
Material

Copper Alloy

Hardware

Everdur bolts, nuts, lockwashers, washers, stainless steel cotter pin

Mounting hardware galvanized steel



Ordering Information

CATALOG NUMBER	SPS	BOLT CIRCLE	DIMENSIONS IN INCHES		BOLT SIZE
			A	L	
SBC75-3	3/4	3	2	3 1/2	3/8
SBC75-5	3/4	5	2 1/4	3 1/2	3/8
SBC100-3	1	3	2	4 1/2	3/8
SBC100-5	1	5	2 1/4	4 1/2	3/8
SCB125-3	1 1/4	3	2 1/4	5 1/2	1/2
SCB125-5	1 1/4	5	2 3/8	5 1/2	1/2
SCB150-3	1 1/2	3	2 1/2	5 3/4	1/2
SCB150-5	1 1/2	5	2 1/2	5 3/4	1/2
SCB200-3	2	3	2 3/4	6	1/2
SCB200-5	2	5	2 3/4	6	1/2
SCB250-3	2 1/2	3	3 1/8	6	1/2
SCB250-5	2 1/2	5	3 1/8	6	1/2
SCB300-5	3	3	3 5/8	7	5/8
SCB350-5	3 1/2	5	4	8	5/8
SCB400-5	4	3	4 1/2	8 3/4	5/8