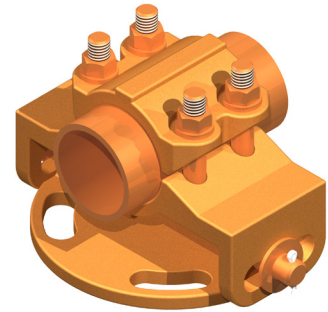


DOSSERT®

TYPE SBS

Sliding Bus Support For Tubular Bus

A sliding bus support for standard pipe size tubular bus. The clamp and bracket constitute a rigid member while free axial movement is effected between the bracket and mounting base. Support also permits mounting of tubular buses at slight angular deviation.

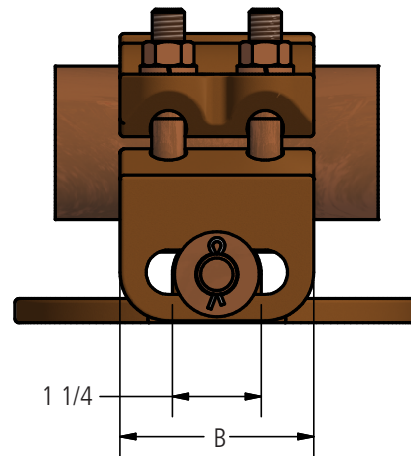
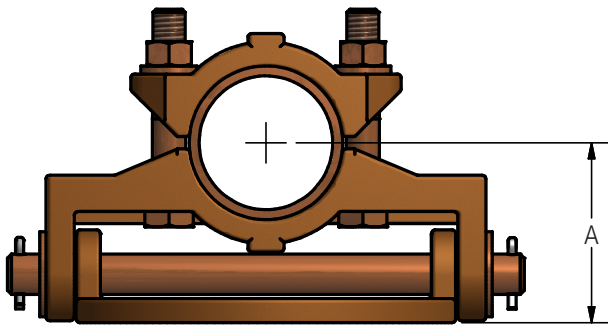


Material

Copper Alloy

Hardware

Everdur bolts, nuts and lockwashers
Mounting hardware galvanized steel



Ordering Information

CATALOG NUMBER	SPS	BOLT CIRCLE	DIMENSIONS IN INCHES		
			A	B	BOLT SIZE
SBS100-3	1	3	2	2 1/8	3/8
SBS100-5	1	5	2 1/4	2 1/8	3/8
SBS125-3	1 1/4	3	2 1/4	2 5/8	1/2
SBS125-5	1 1/4	5	2 3/8	2 5/8	1/2
SBS150-3	1 1/2	3	2 1/2	2 7/8	1/2
SBS150-5	1 1/2	5	2 1/2	2 7/8	1/2
SBS200-3	2	3	2 3/4	3	1/2
SBS200-5	2	5	2 3/4	3	1/2
SBS250-3	2 1/2	3	3 1/8	3 1/8	1/2
SBS250-5	2 1/2	5	3 1/8	3 1/8	1/2
SBS300-5	3	5	3 5/8	3 1/4	5/8
SBS350-5	3 1/2	5	4	3 1/4	5/8
SBS400-5	4	5	4 1/2	3 3/8	5/8