

### DOSSERT®

#### TYPE PSK, PSKS

##### Suspension Type Bus Support For Tubular Bus With Ball Eye

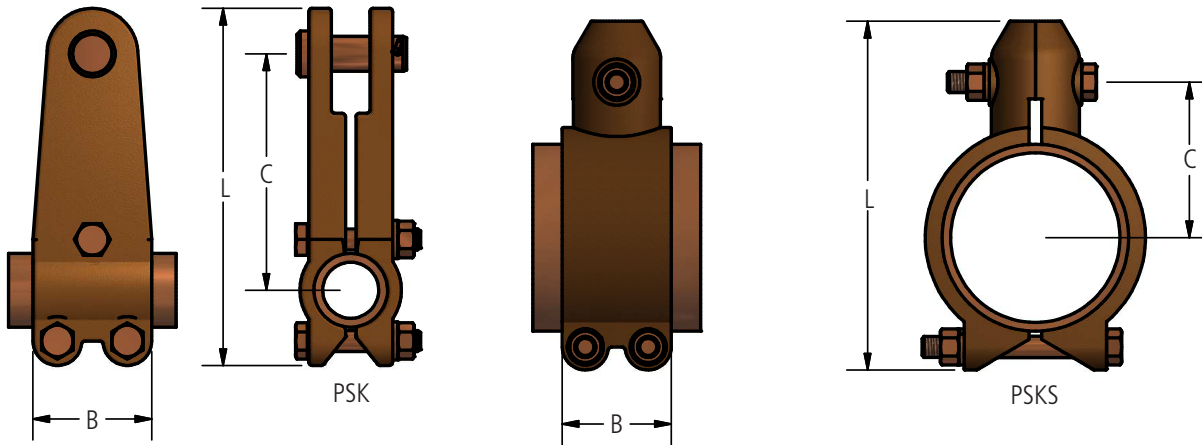
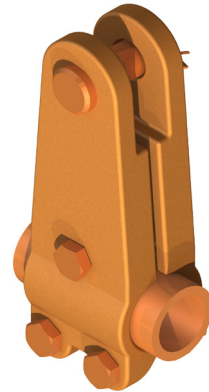
Suspension type bus support clamps for mounting tubular bus to the underside of suspension insulators. Type PSK is provided with a clevis yoke for connecting bus support to an insulator clevis eye while type PSKS is provided with a ball socket for connecting bus support to an insulator ball eye.

#### Material

Copper Alloy

#### Hardware

Everdur bolts, nuts and lockwashers



### Ordering Information

CATALOG NUMBER		SPS	DIMENSIONS IN INCHES			
PSK SERIES	PSKS SERIES		B	C	L	BOLT SIZE
PSK50	PSKS50	1/2	2 1/8	3	5 3/16	3/8
PSK75	PSKS75	3/4	2 1/8	3 3/16	5 7/16	3/8
PSK100	PSKS100	1	2 1/8	3 7/16	5 13/16	3/8
PSK125	PSKS125	1 1/4	2 1/8	3 1/2	6 1/8	1/2
PSK150	PSKS150	1 1/2	2 5/8	3 13/16	6 5/8	1/2
PSK200	PSKS200	2	2 5/8	4	7 3/8	1/2
PSK250	PSKS250	2 1/2	2 5/8	4 1/4	7 13/16	1/2
PSK300	PSKS300	3	3 5/16	4 5/8	8 15/16	5/8
PSK350	PSKS350	3 1/2	3 5/16	5	9 7/16	5/8
PSK400	PSKS400	4	3 5/16	5 3/8	9 7/8	5/8