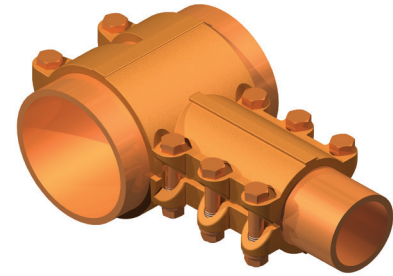


DOSSERT®

TYPE BPE

Copper Heavy Duty Tee For Tubular Bus

A heavy duty tee connector for standard and extra heavy size of tubular bus. Designed to provide a minimum of four bolts for each conductor. Made of high strength high conductivity copper alloy and designed with a conductive area and contact surface to insure cooler-than-bus operation at maximum load conditions.

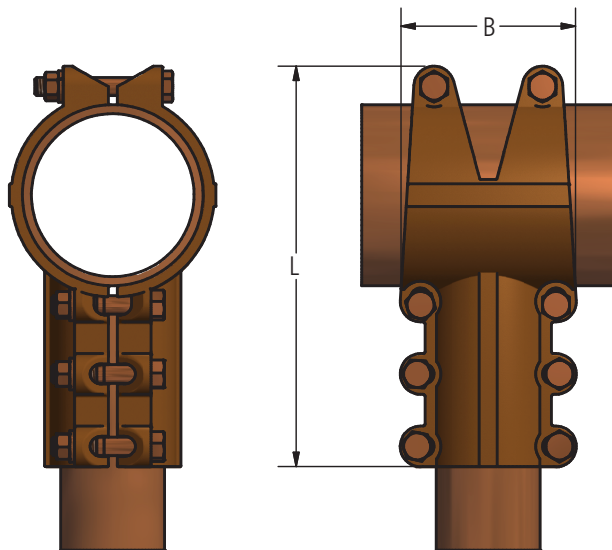


Material

Copper Alloy

Hardware

Everdur bolts, nuts and lockwashers



Ordering Information

| CATALOG NUMBER | SPS | | DIMENSIONS IN INCHES | | BOLT SIZE |
|----------------|-------|-------|----------------------|------|-----------|
| | RUN | TAP | B | L | |
| BPE50-50 | 1/2 | 1/2 | 2.50 | 4.50 | 3/8 |
| BPE75-50 | 3/4 | 1/2 | 2.50 | 4.75 | 3/8 |
| BPE75-75 | 3/4 | 3/4 | 2.69 | 4.75 | 3/8 |
| BPE100-50 | 1 | 1/2 | 2.50 | 5.25 | 3/8 |
| BPE100-75 | 1 | 3/4 | 2.69 | 5.38 | 3/8 |
| BPE100-100 | 1 | 1 | 2.94 | 5.50 | 3/8 |
| BPE125-50 | 1 1/4 | 1/2 | 2.50 | 5.88 | 3/8 |
| BPE125-75 | 1 1/4 | 3/4 | 2.69 | 6.00 | 3/8 |
| BPE125-100 | 1 1/4 | 1 | 2.88 | 6.25 | 1/2 |
| BPE125-125 | 1 1/4 | 1 1/4 | 3.81 | 7.00 | 1/2 |
| BPE150-50 | 1 1/2 | 1/2 | 2.50 | 5.94 | 3/8 |
| BPE150-75 | 1 1/2 | 3/4 | 2.69 | 6.06 | 3/8 |
| BPE150-100 | 1 1/2 | 1 | 2.94 | 6.13 | 3/8 |
| BPE150-125 | 1 1/2 | 1 1/4 | 3.81 | 7.25 | 1/2 |
| BPE150-150 | 1 1/2 | 1 1/2 | 4.00 | 7.69 | 1/2 |
| BPE200-50 | 2 | 1/2 | 4.13 | 6.88 | 1/2 |
| BPE200-75 | 2 | 3/4 | 2.69 | 6.38 | 3/8 |
| BPE200-100 | 2 | 1 | 2.94 | 6.75 | 3/8 |
| BPE200-125 | 2 | 1 1/4 | 3.81 | 7.50 | 1/2 |
| BPE200-150 | 2 | 1 1/2 | 4.00 | 8.06 | 1/2 |
| BPE200-200 | 2 | 2 | 4.50 | 8.25 | 1/2 |

DOSSERT®

TYPE BPE

Copper Heavy Duty Tee For Tubular Bus

Ordering Information

| CATALOG NUMBER | SPS | | DIMENSIONS IN INCHES | | BOLT SIZE |
|----------------|-------|-------|----------------------|-------|-----------|
| | RUN | TAP | B | L | |
| BPE250-50 | 2 1/2 | 1/2 | 2.50 | 7.00 | 3/8 |
| BPE250-75 | 2 1/2 | 3/4 | 2.69 | 7.00 | 3/8 |
| BPE250-100 | 2 1/2 | 1 | 2.94 | 7.13 | 3/8 |
| BPE250-125 | 2 1/2 | 1 1/4 | 3.81 | 8.38 | 1/2 |
| BPE250-150 | 2 1/2 | 1 1/2 | 4.00 | 8.56 | 1/2 |
| BPE250-200 | 2 1/2 | 2 | 4.50 | 8.75 | 1/2 |
| BPE250-250 | 2 1/2 | 2 1/2 | 5.00 | 8.94 | 1/2 |
| BPE300-50 | 3 | 1/2 | 2.00 | 8.38 | 3/8 |
| BPE300-75 | 3 | 3/4 | 2.69 | 8.38 | 3/8 |
| BPE300-100 | 3 | 1 | 2.94 | 8.50 | 3/8 |
| BPE300-125 | 3 | 1 1/4 | 3.81 | 9.25 | 1/2 |
| BPE300-150 | 3 | 1 1/2 | 4.00 | 9.38 | 1/2 |
| BPE300-200 | 3 | 2 | 4.50 | 9.50 | 1/2 |
| BPE300-250 | 3 | 2 1/2 | 5.00 | 9.63 | 1/2 |
| BPE300-300 | 3 | 3 | 6.00 | 9.75 | 5/8 |
| BPE300-400 | 3 | 4 | 6.63 | 10.38 | 5/8 |
| BPE350-50 | 3 1/2 | 1/2 | 2.50 | 8.75 | 3/8 |
| BPE350-75 | 3 1/2 | 3/4 | 2.69 | 8.75 | 3/8 |
| BPE350-100 | 3 1/2 | 1 | 2.94 | 8.88 | 3/8 |
| BPE350-125 | 3 1/2 | 1 1/4 | 3.81 | 9.75 | 1/2 |
| BPE350-150 | 3 1/2 | 1 1/2 | 4.00 | 9.88 | 1/2 |
| BPE350-200 | 3 1/2 | 2 | 4.50 | 10.00 | 1/2 |
| BPE350-250 | 3 1/2 | 2 1/2 | 5.00 | 10.13 | 1/2 |
| BPE350-300 | 3 1/2 | 3 | 6.00 | 10.75 | 5/8 |
| BPE350-350 | 3 1/2 | 3 1/2 | 6.50 | 10.88 | 5/8 |
| BPE400-50 | 4 | 1/2 | 2.50 | 9.13 | 3/8 |
| BPE400-75 | 4 | 3/4 | 2.69 | 9.13 | 3/8 |
| BPE400-100 | 4 | 1 | 2.94 | 9.25 | 3/8 |
| BPE400-125 | 4 | 1 1/4 | 3.81 | 10.25 | 1/2 |
| BPE400-150 | 4 | 1 1/2 | 4.00 | 10.38 | 1/2 |
| BPE400-200 | 4 | 2 | 4.50 | 10.50 | 1/2 |
| BPE400-250 | 4 | 2 1/2 | 5.00 | 10.69 | 1/2 |
| BPE400-300 | 4 | 3 | 6.00 | 11.19 | 5/8 |
| BPE400-350 | 4 | 3 1/2 | 6.50 | 11.31 | 5/8 |
| BPE400-400 | 4 | 4 | 7.00 | 11.44 | 5/8 |