

DOSSERT®

TYPE BP, BPA-75, BPA-80 Standard, 75 degree, and 80 degree Tee Connector

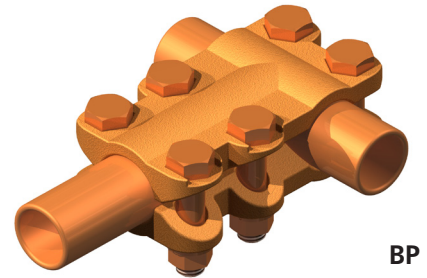
A two piece all copper tee connector designed for maximum efficiency and reliability.

Material

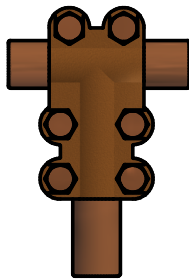
Copper Alloy

Hardware

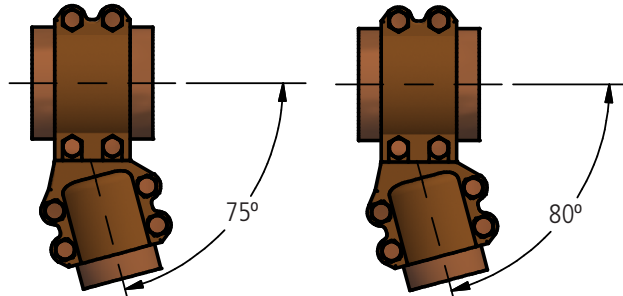
Everdur bolts, nuts and lockwashers



BP

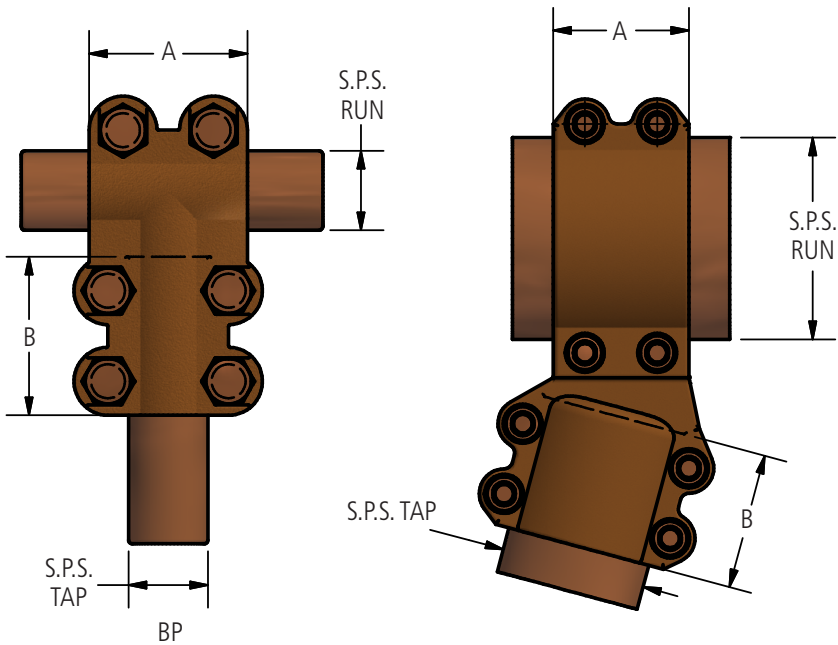


BP



BPA-75

BPA-80



BP

Bronze Elbows Tee & Vee Connectors



Bronze Elbows Tee & Vee Connectors

DOSSERT®

TYPE BP, BPA-75, BPA-80

Standard, 75 degree, and 80 degree Tee Connector

Ordering Information

STRAIT	CATALOG NUMBER		SPS		DIMENSIONS IN INCHES		BOLT SIZE
	75 DEG	80 DEG	RUN	TAP	A	B	
BP100-75	BPA100-75-75	BPA100-75-80	1	3/4	2-3/4	2-3/4	1/2
BP100-100	BPA100-100-75	BPA100-100-80	1	1	2-3/4	2-3/4	1/2
BP125-75	BPA125-75-75	BPA125-75-80	1-1/4	3/4	3	2-3/4	1/2
BP125-100	BPA125-100-75	BPA125-100-80	1-1/4	1	3	2-3/4	1/2
BP125-125	BPA125-125-75	BPA125-125-80	1-1/4	1-1/4	3	3	1/2
BP150-100	BPA150-100-75	BPA150-100-80	1-1/2	1	3	2-3/4	1/2
BP150-125	BPA150-125-75	BPA150-125-80	1-1/2	1-1/4	3	3	1/2
BP150-150	BPA150-150-75	BPA150-150-80	1-1/2	1-1/2	3	3	1/2
BP200-100	BPA200-100-75	BPA200-100-80	2	1	3-1/4	2-3/4	1/2
BP200-125	BPA200-125-75	BPA200-125-80	2	1-1/4	3-1/4	3	1/2
BP200-150	BPA200-150-75	BPA200-150-80	2	1-1/2	3-1/4	3	1/2
BP200-200	BPA200-200-75	BPA200-200-80	2	2	3-1/4	3-1/4	1/2
BP250-100	BPA250-100-75	BPA250-100-80	2-1/2	1	3-1/4	2-3/4	1/2
BP250-125	BPA250-125-75	BPA250-125-80	2-1/2	1-1/4	3-1/4	3	1/2
BP250-150	BPA250-150-75	BPA250-150-80	2-1/2	1-1/2	3-1/4	3	1/2
BP250-200	BPA250-200-75	BPA250-200-80	2-1/2	2	3-1/4	3-1/4	1/2
BP250-250	BPA250-250-75	BPA250-250-80	2-1/2	2-1/2	3-1/4	3-1/4	1/2
BP300-100	BPA300-100-75	BPA300-100-80	3	1	3-1/4	2-3/4	1/2
BP300-125	BPA300-125-75	BPA300-125-80	3	1-1/4	3-1/4	3	1/2
BP300-150	BPA300-150-75	BPA300-150-80	3	1-1/2	3-1/4	3	1/2
BP300-200	BPA300-200-75	BPA300-200-80	3	2	3-1/4	3-1/4	1/2
BP300-250	BPA300-250-75	BPA300-250-80	3	2-1/2	3-1/4	3-1/4	1/2
BP300-300	BPA300-300-75	BPA300-300-80	3	3	3-3/4	3-3/4	5/8
BP350-100	BPA350-100-75	BPA350-100-80	3-1/2	1	3-1/4	2-3/4	1/2
BP350-125	BPA350-125-75	BPA350-125-80	3-1/2	1-1/4	3-1/4	3	1/2
BP350-150	BPA350-150-75	BPA350-150-80	3-1/2	1-1/2	3-1/4	3	1/2
BP350-200	BPA350-200-75	BPA350-200-80	3-1/2	2	3-1/4	3-1/4	1/2
BP350-250	BPA350-250-75	BPA350-250-80	3-1/2	2-1/2	3-1/4	3-1/4	1/2
BP350-300	BPA350-300-75	BPA350-300-80	3-1/2	3	3-3/4	3-3/4	5/8
BP350-350	BPA350-350-75	BPA350-350-80	3-1/2	3-1/2	3-3/4	3-3/4	5/8
BP400-125	BPA400-125-75	BPA400-125-80	4	1-1/4	3-1/4	3	1/2
BP400-150	BPA400-150-75	BPA400-150-80	4	1-1/2	3-1/4	3	1/2
BP400-200	BPA400-200-75	BPA400-200-80	4	2	3-1/4	3-1/4	1/2
BP400-250	BPA400-250-75	BPA400-250-80	4	2-1/2	3-1/4	3-1/4	1/2
BP400-300	BPA400-300-75	BPA400-300-80	4	3	3-3/4	3-3/4	5/8
BP400-350	BPA400-350-75	BPA400-350-80	4	3-1/2	3-3/4	3-3/4	5/8
BP400-400	BPA400-400-75	BPA400-400-80	4	4	3-3/4	3-3/4	5/8
BP500-150	BPA500-150-75	BPA500-150-80	5	1-1/2	3-1/2	3	1/2
BP500-200	BPA500-200-75	BPA500-200-80	5	2	3-1/2	3-1/4	1/2
BP500-250	BPA500-250-75	BPA500-250-80	5	2-1/2	3-1/2	3-1/4	1/2
BP500-300	BPA500-300-75	BPA500-300-80	5	3	4	3-3/4	5/8
BP500-350	BPA500-350-75	BPA500-350-80	5	3-1/2	4	3-3/4	5/8
BP500-400	BPA500-400-75	BPA500-400-80	5	4	4	3-3/4	5/8
BP500-500	BPA500-500-75	BPA500-500-80	5	5	4	4	5/8
BP600-250	BPA600-250-75	BPA600-250-80	6	2-1/2	3-1/2	3-1/2	1/2
BP600-300	BPA600-300-75	BPA600-300-80	6	3	4	3-3/4	5/8
BP600-350	BPA600-350-75	BPA600-350-80	6	3-1/2	4	3-3/4	5/8
BP600-400	BPA600-400-75	BPA600-400-80	6	4	4	3-3/4	5/8
BP600-500	BPA600-500-75	BPA600-500-80	6	5	4	4	5/8
BP600-600	BPA600-600-75	BPA600-600-80	6	6	4	4	5/8

Bronze Elbows
Tee & Vee Connectors