

DOSSERT® TYPE AD

A high strength cast bronze insulator adapter for adjusting bus center line heights from insulators. Adapters for heights and bolt circle mountings other than those listed can be readily supplied.

Material

Copper Alloy

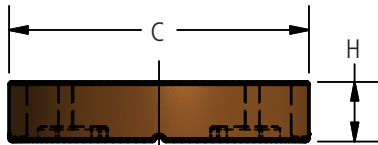
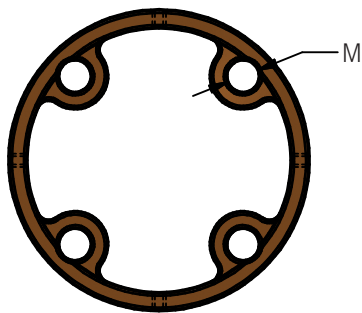
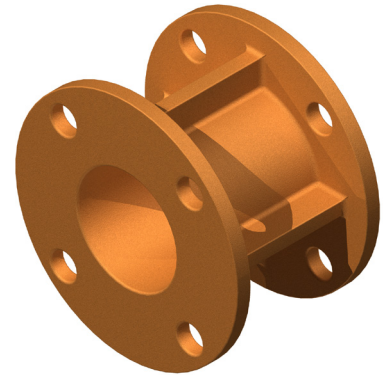


FIG. 1

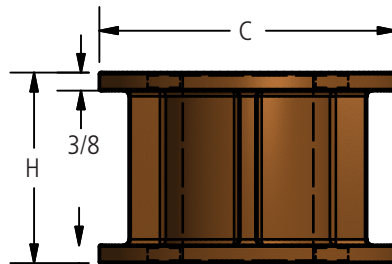
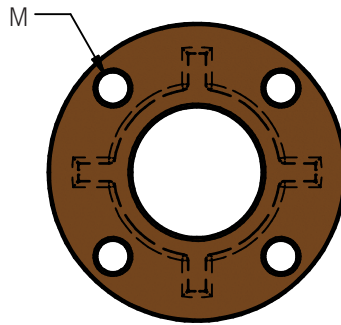


FIG. 2

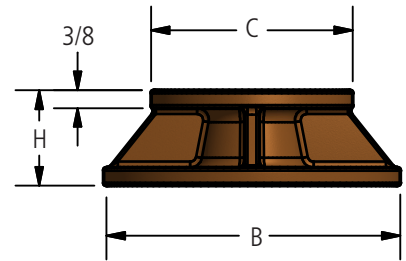
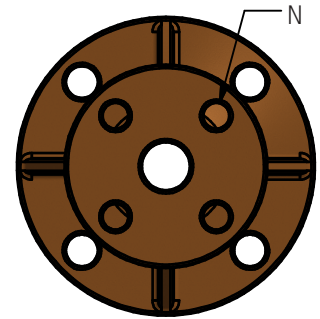
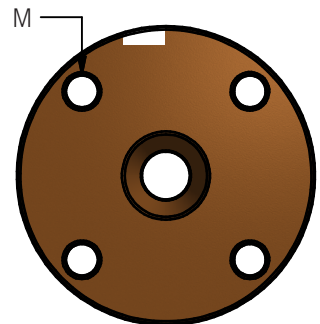


FIG. 3





DOSSERT® TYPE AD

Ordering Information

CATALOG NUMBER	FIGURE NUMBER	BOLT CIRCLE (B)	BOLT CIRCLE (C)	DIMENSIONS IN INCHES				
				B	C	H	M	N
AD3-1/2-3	1	-	3	-	4 1/4	1/2	9/16	-
AD3-3/4-3	1	-	3	-	4 1/4	3/4	9/16	-
AD3-1-3	1	-	3	-	4 1/4	1	9/16	-
AD3-1-1/4-3	1	-	3	-	4 1/4	1 1/4	9/16	-
AD3-1-1/2-3	1	-	3	-	4 1/4	1 1/2	9/16	-
AD3-1-3/4-3	1	-	3	-	4 1/4	1 3/4	9/16	-
AD5-1/2-5	1	-	5	-	6 1/4	1/2	11/16	-
AD5-3/4-5	1	-	5	-	6 1/4	3/4	11/16	-
AD5-1-5	1	-	5	-	6 1/4	1	11/16	-
AD5-1-1/4-5	1	-	5	-	6 1/4	1 1/4	11/16	-
AD5-1-1/2-5	1	-	5	-	6 1/4	1 1/2	11/16	-
AD5-1-3/4-5	1	-	5	-	6 1/4	1 3/4	11/16	-
AD3-2-3	2	-	3	-	4 1/4	2	9/16	-
AD3-2-1/2-3	2	-	3	-	4 1/4	2 1/2	9/16	-
AD3-3-3	2	-	3	-	4 1/4	3	9/16	-
AD3-3-1/2-3	2	-	3	-	4 1/4	3 1/2	9/16	-
AD3-4-3	2	-	3	-	4 1/4	4	9/16	-
AD3-5-3	2	-	3	-	4 1/4	5	9/16	-
AD3-6-3	2	-	3	-	4 1/4	6	9/16	-
AD3-2-5	3	3	5	6 1/4	4 1/4	2	11/16	9/16
AD3-2-1/2-5	3	3	5	6 1/4	4 1/4	2 1/2	11/16	9/16
AD3-3-5	3	3	5	6 1/4	4 1/4	3	11/16	9/16
AD3-3-1/2-5	3	3	5	6 1/4	4 1/4	3 1/2	11/16	9/16
AD3-4-5	3	3	5	6 1/4	4 1/2	4	11/16	9/16
AD3-5-5	3	3	5	6 1/4	4 1/4	5	11/16	9/16
AD3-6-5	3	3	5	6 1/4	4 1/4	6	11/16	9/16
AD5-2-5	2	-	5	-	6 1/4	2	11/16	-
AD5-2-1/2-5	2	-	5	-	6 1/4	2 1/2	11/16	-
AD5-3-5	2	-	5	-	6 1/4	3	11/16	-
AD5-3-1/2-5	2	-	5	-	6 1/4	3 1/2	11/16	-
AD5-4-5	2	-	5	-	6 1/4	4	11/16	-
AD5-5-5	2	-	5	-	6 1/4	5	11/16	-
AD5-6-5	2	-	5	-	6 1/4	6	11/16	-