

### DOSSERT®

#### TYPE CS

#### Bus Support Clamp For Cable Conductor

A high strength bronze bus support clamp for cable conductor. For securing to insulator, bolts and nuts are furnished for pin and slotted cap mountings, and cap screws for cap mountings. When ordering specify type of mountings to be used and also cable size to determine clamping bolt length.

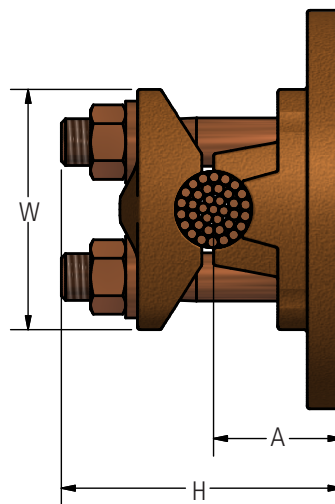
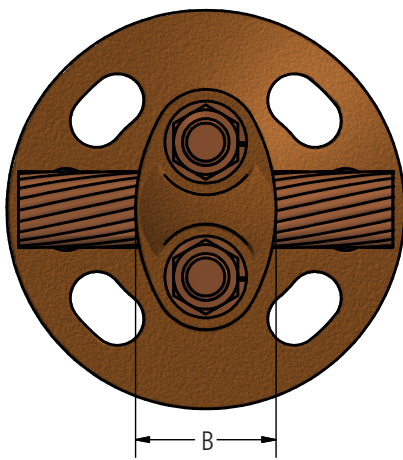
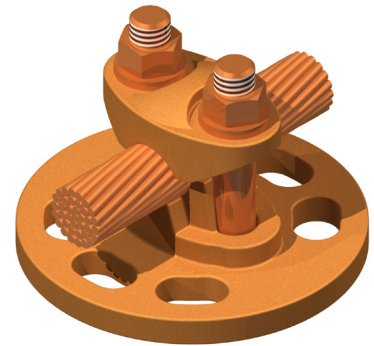
#### Material

Copper Alloy

#### Hardware

Everdur bolts, nuts and lockwashers

Mounting hardware galvanized steel



### Ordering Information

CATALOG NUMBER	CONDUCTOR RANGE				BOLT CIRCLE	DIMENSIONS IN INCHES				
	CABLE		SPS			A	B	H	W	BOLT SIZE
	MIN	MAX	MIN	MAX						
CS21-3	6 Solid	4/0 Stranded	-	-	3	1 1/4	1 1/2	2 9/16	1 15/16	3/8
CS21-5	6 Solid	4/0 Stranded	-	-	5	1 1/4	1 1/2	2 9/16	1 15/16	3/8
CS50-3	2/0 Stranded	500 kcmil	1/4	1/2	3	1 3/8	1 1/2	2 1/2	2 5/8	3/8
CS50-5	2/0 Stranded	500 kcmil	1/4	1/2	5	1 3/8	1 1/2	2 1/2	2 5/8	3/8
CS125-3	550 kcmil	1250 kcmil	1/2	1	3	1 9/16	1 3/4	3 1/4	3 1/4	1/2
CS125-5	550 kcmil	1250 kcmil	1/2	1	5	1 9/16	1 3/4	3 1/4	3 1/4	1/2
CS200-3	1300 kcmil	2000 kcmil	1	1 1/4	3	1 7/8	1 3/4	3 7/16	3 1/2	1/2
CS200-5	1300 kcmil	2000 kcmil	1	1 1/4	5	1 7/8	1 3/4	3 7/16	3 1/2	1/2