

DOSSERT® TYPE G110, G111, G114, G115

All Dossert ground clamps are made of a high copper alloy and are equipped with silicon bronze bolts. These connectors are characterized by their high resistance to corrosion which makes them suitable for burial underground without danger of joint deterioration

Two types of two conductor ground clamps for grounding to square fence post, type G114 or for grounding to H beam column or fence post, type G115.

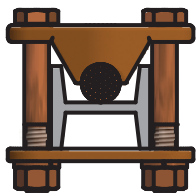
Two single conductor ground clamps for connecting a ground wire to the web of an H beam type fence post. Type G111 provides a clamping saddle between wire and post, while type G110 clamps wire directly to post.

Material

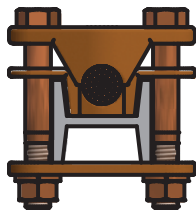
Copper Alloy

Hardware

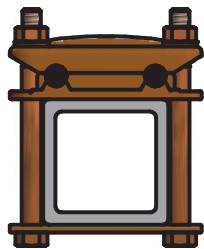
Everdur bolts, nuts and lockwashers



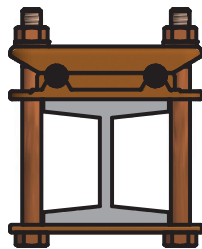
G110



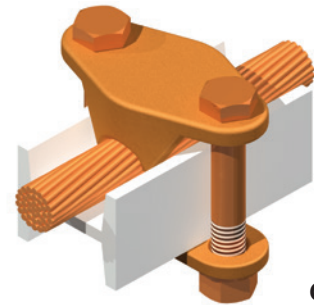
G111



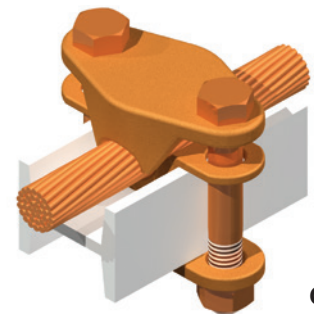
G114-2



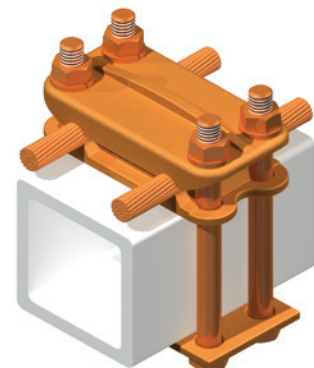
G115-2



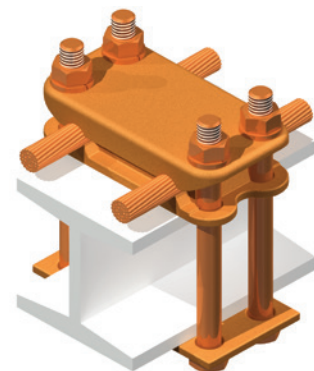
G110



G111



G114



G115

Ordering Information

CATALOG NUMBER	H-BEAM	CABLE RANGE	
		MIN	MAX
G110	1 1/4 X 1 1/2	2/0 SOL	250 MCM
G111	1 1/4 X 1 1/2	2/0 SOL	250 MCM

CATALOG NUMBER	SQUARE POST SIZE	CABLE RANGE		NUMBER OF CABLES
		MIN	MAX	
G114	3 1/2"	1/0	250MCM	3
G114-13-2	2"	4 SOL.	2/0 STR.	1
G114-2-S1	1 1/2"	2/0 SOL.	250 MCM	2
G114-13-2-50	2"	200 MCM	500 MCM	1

CATALOG NUMBER	BEAM SIZE	CABLE RANGE		NUMBER OF CABLES
		MIN	MAX	
G115	2 15/16 x 3	2/0 SOL.	250 MCM	3
G115-1	2 1/8 x 2 1/2	4 SOL.	2/0 STR.	1
G115-2	1 15/16 x 2 1/4	2/0 SOL.	250 MCM	2