

DOSSERT®

TYPE GA, GAA

Two Conductor Flat Bar Ground Clamp

A single or double bolt ground clamp for clamping two wires or cables to a flat bar, plate, or structural member. Permits a slight range of variability in accommodating different size conductors. Bolts are retained by body to enable assembling with only one wrench. Bolts are supplied to clamp a 1/4 inch bar. GAA is similar to GA except that it is designed for heavier service.

Material

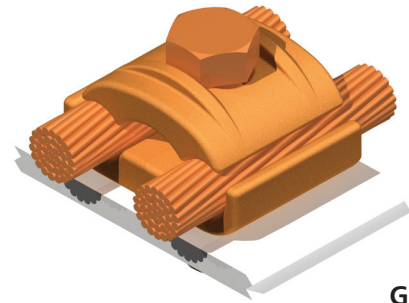
Copper Alloy

Hardware

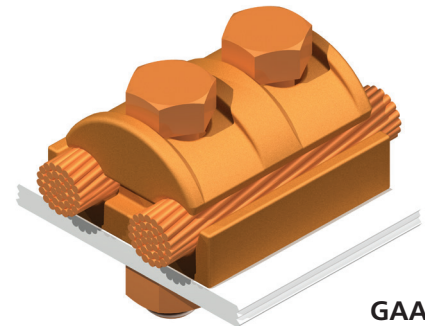
Everdur bolts, nuts and lockwashers

Notes

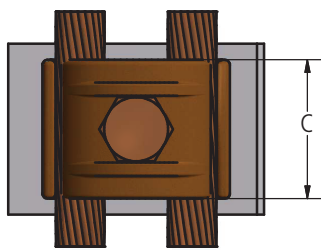
- Bolt length supplied to clamp a 1/4 inch bar with maximum conductor in place.
- For thicker bars, longer bolts will be furnished upon request.
- For tin plating, add suffix "-SN" to catalog number EX: GA13-SN
- For galvanized steel hardware, add suffix "-GS" to catalog number EX: GA13-GS
- For stainless steel hardware, add suffix "-SS" to catalog number EX: GA13-SS



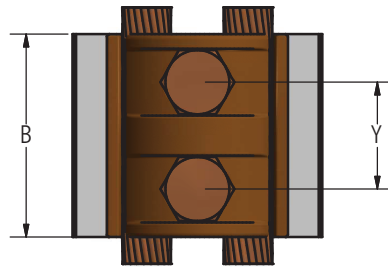
GA



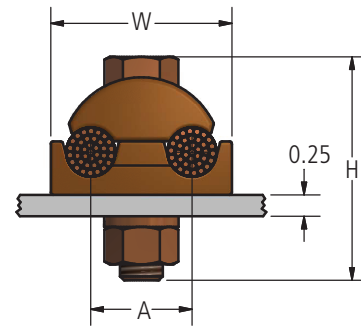
GAA



GA



GAA



Ordering Information

| CATALOG NUMBER | | CABLE RANGE | | DIMENSIONS IN INCHES | | | | | | BOLT SIZE |
|----------------|-----------|-------------|----------|----------------------|------|------|------|------|------|-----------|
| GA | GAA | MIN | MAX | A | B | C | H | W | Y | |
| GA4 | GAA4 | 8 SOL | 4 STR | 0.75 | 2.00 | 1.38 | 1.38 | 1.25 | 0.94 | 3/8 |
| GA13 | GAA13 | 4 SOL | 2/0 STR | 1.00 | 2.00 | 1.53 | 1.70 | 1.72 | 1.00 | 3/8 |
| GA25 | GAA25 | 2/0 SOL | 250 MCM | 1.31 | 2.50 | 1.63 | 2.25 | 2.25 | 1.25 | 1/2 |
| GA25-S | GAA25-S | 2/0 SOL | 250 MCM | 1.25 | 2.94 | 1.75 | 2.25 | 2.25 | 1.75 | 1/2 |
| GA50 | GAA50 | 300 MCM | 500 MCM | 1.50 | 2.50 | 2.00 | 2.86 | 2.63 | 1.38 | 1/2 |
| GA50-N | GAA50-N | 300 MCM | 500 MCM | 1.50 | 2.50 | 2.00 | 2.86 | 2.63 | 1.38 | 1/2 |
| GA75 | GAA75 | 550 MCM | 750 MCM | 1.75 | 3.00 | 2.38 | 3.00 | 3.25 | 1.56 | 5/8 |
| GA80-1/2 | GAA80-1/2 | 500 MCM | 800 MCM | 1.88 | 3.00 | 2.38 | 3.00 | 3.31 | 1.56 | 1/2 |
| GA100 | GAA100 | 800 MCM | 1000 MCM | 2.00 | 3.00 | 2.50 | 3.25 | 3.63 | 1.56 | 5/8 |