

DOSSERT®

TYPE GF, GFM

Copper Grounding Connector for Cable to a Flat Surface

A ground clamp for grounding a cable or wire to a flat bar, plate or flat structural steel member. The bolt is retained by the body to enable assembly with only one wrench. GFM comes without the base.

Material

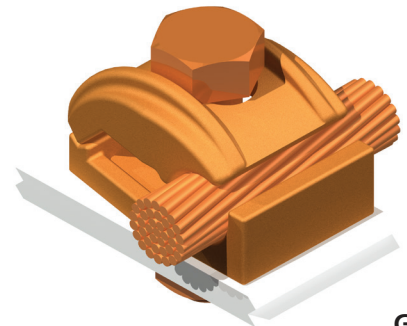
Copper Alloy

Hardware

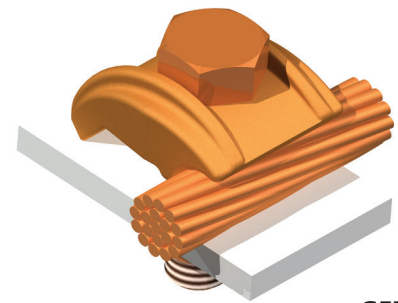
Everdur bolts, nuts and lockwashers

Notes

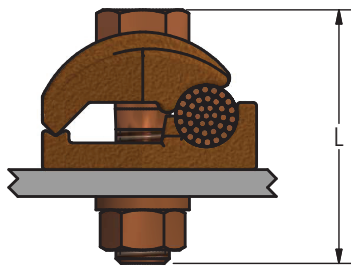
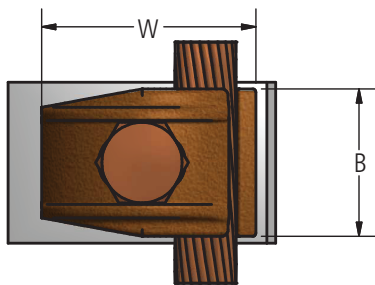
- Bolt length supplied to clamp a 1/4" bar with maximum conductor in place. For thicker bars, longer bolts will be furnished upon request.
- For tin plating add suffix "-SN" to end of catalog number. Example: GF13-SN
- For a 300 mcm conductor and one piece assembly, order GFM50.
- For Galvanized Steel Hardware, add "-GS" to catalog number. EX: GF13-GS
- For Stainless Steel Hardware, add "-SS" to catalog number. EX: GF13-SS



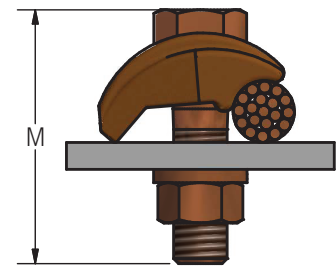
GF



GFM



GF



GFM

Ordering Information

CATALOG NUMBER		CABLE RANGE		DIMENSIONS IN INCHES				BOLT SIZE
GF	GFM	MIN	MAX	B	L	M	W	
GF4	GFM4	8 Solid	4 Stranded	1	1 15/16	1 7/16	1 7/16	3/8
GF13	GFM13	4 Solid	2/0 Stranded	1 1/8	1 15/16	1 11/16	1 9/16	3/8
GF25	GFM25	2/0 Solid	250 MCM	1 3/8	2 1/4	2	2	1/2
GF30	GFM30	4 Solid	300 MCM	1 3/8	2 5/8	2 1/8	2	1/2
GF50	GFM50	300 MCM	500 MCM	1 1/2	2 7/8	2 1/4	2 7/16	1/2
GF75	GFM75	550 MCM	750 MCM	1 5/8	3 1/4	2 3/4	2 7/8	5/8
GF100	GFM100	800 MCM	1000 MCM	1 3/4	3 1/2	3 1/4	3 3/16	5/8