

DOSSERT®

TYPE GL

Ground Clamp for Cable to Flat Bar

A connector for grounding a cable or wire to flat bar, plate or structural frame. The looping of the conductor about the clamping bolt insures a secure electrical contact and a high pull out strength. Standard bolt length is provided to mount the connector on a 1/4 inch thick member.

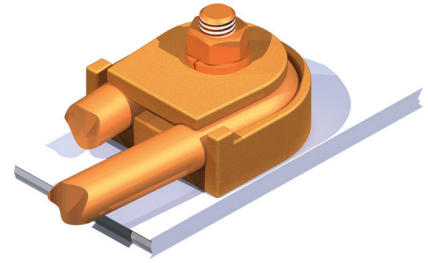
Material

Copper Alloy

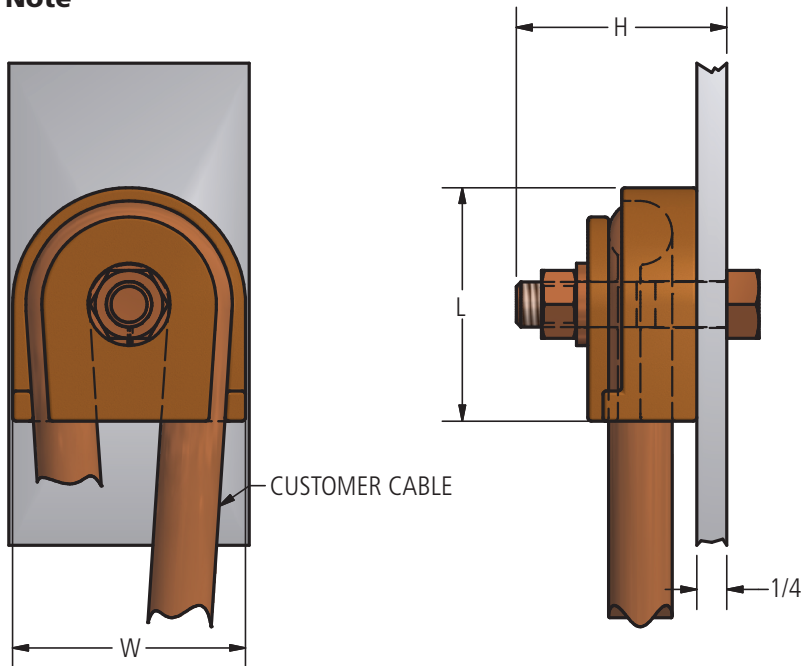
Hardware

Everdur bolts, nuts and lockwashers

- Longer bolts can be furnished on request.
- For tin plating add suffix "-SN" to end of catalog number. Example: GL13-38-SN



Note



Ordering Information

CATALOG NUMBER	CABLE RANGE		DIMENSIONS IN INCHES			BOLT SIZE
	MIN	MAX	H	L	W	
GL4-38	8 Stranded	4 Stranded	1 1/2	1 7/16	1 1/4	3/8
GL4-50	8 Stranded	4 Stranded	1 7/8	1 15/16	1 3/4	1/2
GL4-63	8 Stranded	4 Stranded	2	1 15/16	1 3/4	5/8
GL13-38	3 Stranded	2/0 Stranded	2	1 7/8	1 11/16	3/8
GL13-50	3 Stranded	2/0 Stranded	2 1/8	1 15/16	1 13/16	1/2
GL13-63	3 Stranded	2/0 Stranded	2 1/4	1 15/16	1 13/16	5/8
GL25-38	3/0 Stranded	250 MCM	2 1/4	2 7/16	2 1/8	3/8
GL25-50	3/0 Stranded	250 MCM	2 3/8	2 7/16	2 1/4	1/2
GL25-63	3/0 Stranded	250 MCM	2 1/2	2 7/16	2 1/4	5/8