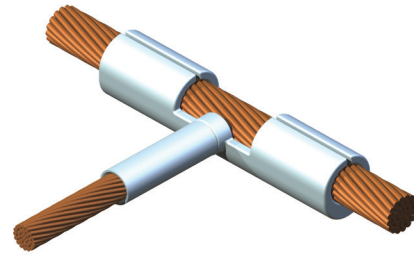


DOSSERT®

TYPE CST

Copper Compression Tee Connector For Cable To Cable

A tee connector with compression elements on both run and tap. Designed to make tap connections on a continuous run. Run member is U-shaped before installation and after compression the heavily tapered tabs conform to cable to produce a secure electrical and mechanical connection.

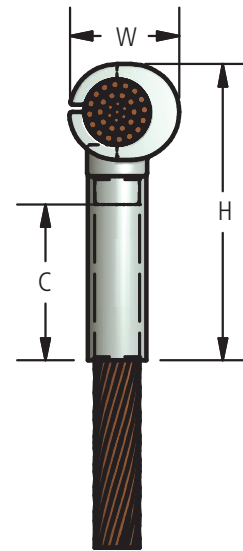
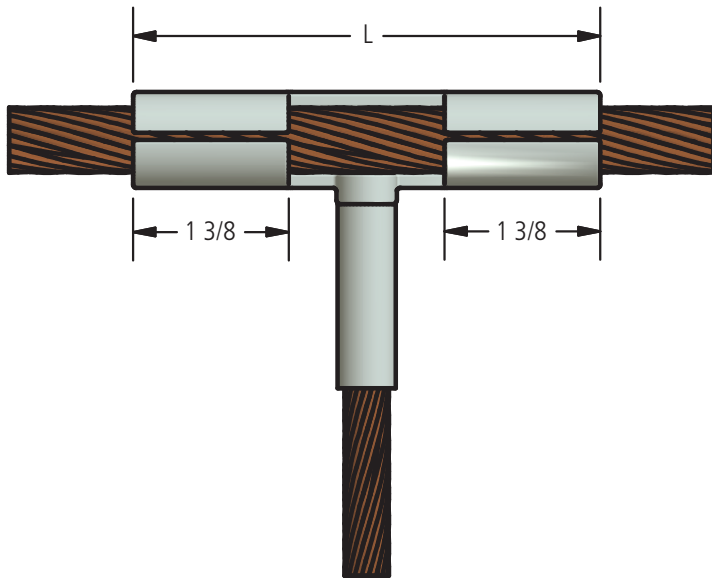


Material

Tin plated copper alloy

Note

Tool references furnished upon request.



DOSSERT®

TYPE CST

Copper Compression Tee Connector For Cable To Cable

Ordering Information

CATALOG NUMBER	CABLE RANGE		DIMENSIONS IN INCHES				NUMBER OF INDENT
	RUN	TAP	C	H	L	W	
CST13-13	2/0 Str.	2/0 Str.	1 1/2	2 1/2	3 13/16	5/8	1
CST21-2	4/0 Str.	6 Str.	1 1/4	2 5/16	3 3/4	7/8	1
CST21-4	4/0 Str.	4 Str.	1 1/4	2 5/16	3 3/4	7/8	1
CST21-6	4/0 Str.	2 Str.	1 5/16	2 7/16	3 3/4	7/8	1
CST21-8	4/0 Str.	1 Str.	1 3/8	2 9/16	4	7/8	1
CST21-10	4/0 Str.	1/0 Str.	1 3/8	2 9/16	4	7/8	1
CST21-13	4/0 Str.	2/0 Str.	1 1/2	2 11/16	4	7/8	1
CST21-17	4/0 Str.	3/0 Str.	1 1/2	2 11/16	4	7/8	1
CST21-21	4/0 Str.	4/0 Str.	1 5/8	2 3/4	4	7/8	1
CST25-2	250 kcmil	6 Str.	1 1/4	2 3/8	3 13/16	15/16	1
CST25-4	250 kcmil	4 Str.	1 1/4	2 3/8	3 13/16	15/16	1
CST25-6	250 kcmil	2 Str.	1 5/16	2 1/2	3 13/16	15/16	1
CST25-8	250 kcmil	1 Str.	1 3/8	2 5/8	3 13/16	15/16	1
CST25-10	250 kcmil	1/0 Str.	1 3/8	2 5/8	4 1/8	15/16	1
CST25-13	250 kcmil	2/0 Str.	1 1/2	2 3/4	4 1/8	15/16	1
CST25-17	250 kcmil	3/0 Str.	1 1/2	2 3/4	4 1/8	15/16	1
CST25-21	250 kcmil	4/0 Str.	1 5/8	2 7/8	4 1/8	15/16	1
CST25-25	250 kcmil	250 kcmil	1 5/8	2 7/8	4 1/8	15/16	1
CST35-2	350 kcmil	6 Str.	1 1/4	2 5/8	4 1/16	1 1/16	1
CST35-4	350 kcmil	4 Str.	1 1/4	2 5/8	4 1/16	1 1/16	1
CST35-6	350 kcmil	2 Str.	1 5/16	2 11/16	4 1/16	1 1/16	1
CST35-8	350 kcmil	1 Str.	1 3/8	2 13/16	4 1/16	1 1/16	1
CST35-10	350 kcmil	1/0 Str.	1 3/8	2 3/4	4 1/16	1 1/16	1
CST35-13	350 kcmil	2/0 Str.	1 1/2	2 7/8	4 1/16	1 1/16	1
CST35-17	350 kcmil	3/0 Str.	1 1/2	2 7/8	4 9/16	1 1/16	1
CST35-21	350 kcmil	4/0 Str.	1 5/8	3	4 9/16	1 1/16	1
CST35-25	350 kcmil	250 kcmil	1 5/8	3	4 9/16	1 1/16	1
CST35-35	350 kcmil	350 kcmil	2	3 3/8	4 9/16	1 1/16	2
CST50-4	500 kcmil	4 Str.	1 1/4	2 3/4	4 3/16	1 1/16	1
CST50-6	500 kcmil	2 Str.	1 5/16	2 7/8	4 3/16	1 1/16	1
CST50-8	500 kcmil	1 Str.	1 3/8	2 15/16	4 3/16	1 1/16	1
CST50-10	500 kcmil	1/0 Str.	1 3/8	2 15/16	4 3/16	1 1/16	1
CST50-13	500 kcmil	2/0 Str.	1 1/2	3 1/16	4 3/16	1 1/16	1
CST50-17	500 kcmil	3/0 Str.	1 1/2	3	4 11/16	1 1/16	1
CST50-21	500 kcmil	4/0 Str.	1 5/8	3 1/8	4 11/16	1 1/16	1
CST50-25	500 kcmil	250 kcmil	1 5/8	3 1/8	4 11/16	1 1/16	1
CST50-35	500 kcmil	350 kcmil	2	3 1/2	4 11/16	1 1/16	2
CST50-50	500 kcmil	500 kcmil	2 1/4	3 3/4	4 11/16	1 1/16	2