

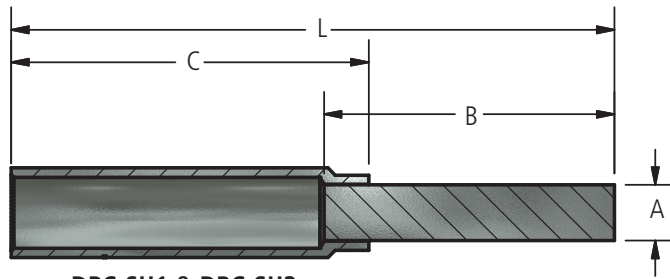
DOSSERT®

TYPE DPC-SH1, DPC-SH2, DPC-SH-90 Cable Terminal

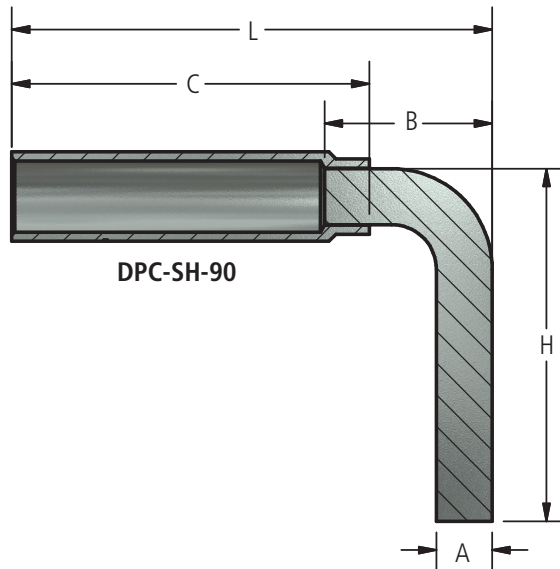
A compression seal plug for terminating a cable with a straight stud end. The cable receiving socket is provided with a shroud which makes a close fit over cable insulation. A weather seal for cable risers is provided by the shroud. Stud is specially bonded to cable socket element to form a single unit possessing high mechanical strength and high electrical conductivity. Made of pure copper and tin plated.

Material

Copper Alloy Electro Tin Plated



DPC-SH1 & DPC-SH2



DPC-SH-90

DOSSERT®

TYPE DPC-SH1, DPC-SH2, DPC-SH-90 Cable Terminal

Ordering Information

SH1 - SHORT TYPE							
CATALOG NUMBER	CABLE SIZE	DIMENSIONS IN INCHES					INDEX NO.
		A	B	C	H	L	
DPC4-SH1	#4 STR.	0.187	1.50	1.44	—	2.688	#8
DPC6-SH1	#2 STR.	0.250	1.56	1.56	—	2.880	#10
DPC8-SH1	#1 STR.	0.250	1.63	1.81	—	3.188	#11
DPC10-SH1	1/0 STR.	0.313	1.63	2.00	—	3.380	#12
DPC13-SH1	2/0 STR.	0.313	1.63	1.94	—	3.310	#13
DPC17-SH1	3/0 STR.	0.313	2.19	1.88	—	3.813	#14
DPC21-SH1	4/0 STR.	0.375	2.19	2.06	—	4.000	#15
DPC25-SH1	250 MCM	0.375	2.13	2.16	—	3.910	#16
DPC35-SH1	350 MCM	0.438	2.13	2.59	—	4.340	#18
DPC50-SH1	500 MCM	0.500	2.91	3.13	—	5.530	#20
DPC75-SH1	750 MCM	0.500	4.38	3.88	—	7.875	#24

SH2 - LONG TYPE							
CATALOG NUMBER	CABLE SIZE	DIMENSIONS IN INCHES					INDEX NO.
		A	B	C	H	L	
DPC4-SH2	#4 STR.	0.188	10.25	1.44	—	11.438	#8
DPC6-SH2	#2 STR.	0.250	10.25	1.56	—	11.560	#10
DPC8-SH2	#1 STR.	0.250	10.25	1.81	—	11.810	#11
DPC10-SH2	1/0 STR.	0.313	10.25	2.00	—	12.000	#12
DPC13-SH2	2/0 STR.	0.313	10.25	1.94	—	11.940	#13
DPC17-SH2	3/0 STR.	0.313	10.25	1.88	—	11.880	#14
DPC21-SH2	4/0 STR.	0.375	10.25	2.06	—	12.060	#15
DPC25-SH2	250 MCM	0.375	10.38	2.16	—	12.160	#16
DPC35-SH2	350 MCM	0.438	10.38	2.59	—	12.590	#18
DPC50-SH2	500 MCM	0.500	10.50	3.13	—	13.130	#20
DPC75-SH2	750 MCM	0.500	10.38	3.88	—	13.880	#24

SH-90 TYPE							
CATALOG NUMBER	CABLE SIZE	DIMENSIONS IN INCHES					INDEX NO.
		A	B	C	H	L	
DPC4-SH-90	#4 STR.	0.188	0.75	1.44	1.75	1.940	#8
DPC6-SH-90	#2 STR.	0.250	0.88	1.56	1.88	2.190	#10
DPC8-SH-90	#1 STR.	0.250	0.88	1.81	1.88	2.438	#11
DPC10-SH-90	1/0 STR.	0.313	0.94	2.00	1.97	2.690	#12
DPC13-SH-90	2/0 STR.	0.313	1.00	1.94	1.97	2.690	#13
DPC17-SH-90	3/0 STR.	0.313	1.00	1.88	1.97	2.630	#14
DPC21-SH-90	4/0 STR.	0.375	1.00	2.06	2.13	2.810	#15
DPC25-SH-90	250 MCM	0.375	1.13	2.16	2.63	3.030	#16
DPC35-SH-90	350 MCM	0.438	1.25	2.59	2.75	3.590	#18
DPC50-SH-90	500 MCM	0.500	1.38	3.13	3.25	4.250	#20

For information on installation tools refer to pages 246 and 247.