

DOSSERT®

TYPE DPLE-N

Copper Heavy Duty Terminal For Cable

A compression terminal lug designed to provide the necessary pad width for NEMA two-hole and four-hole standard drilling. The barrel element is made of high conductivity copper specially bonded to the cast copper alloy body. Completely tin plated for maximum resistance to corrosion. All sizes are designed to indentations in cable socket.

Material

Tin-plated Copper Alloy

Note

Add suffix (F) to catalog number for pad to be machined on both sides. Ex:DPLE150-4NF

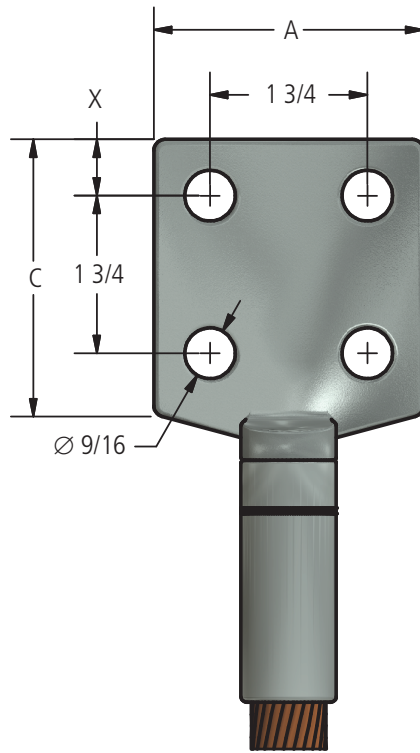
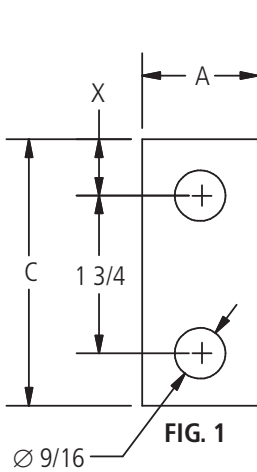
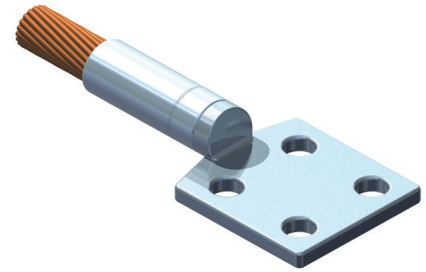
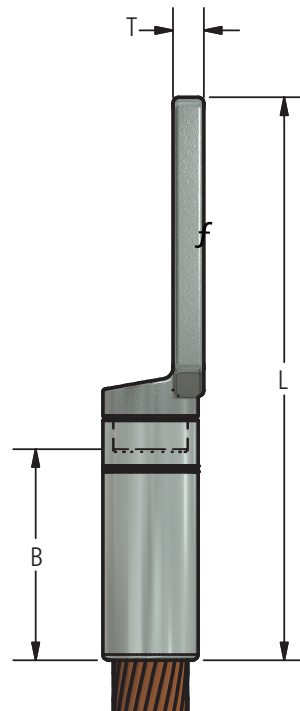


FIG. 2



DOSSERT®

TYPE DPLE-N

Copper Heavy Duty Terminal For Cable

Ordering Information

CATALOG NUMBER	CABLE SIZE	FIG. NO.	DIMENSIONS IN INCHES					
			A	B	C	L	T	X
DPLE2-2N	6 Str	1	1	1 1/4	3	4 5/8	3/16	5/8
DPLE4-2N	4 Str	1	1	1 1/4	3	4 5/8	3/16	5/8
DPLE6-2N	2 Str	1	1 1/8	1 3/8	3	4 3/4	7/32	5/8
DPLE8-2N	1 Str	1	1 1/8	1 1/2	3	5	7/32	5/8
DPLE10-2N	1/0 Str	1	1 1/4	1 1/2	3	5	1/4	5/8
DPLE13-2N	2/0 Str	1	1 1/4	2 1/8	3	5 3/4	1/4	5/8
DPLE17-2N	3/0 Str	1	1 1/4	2 1/8	3	5 3/4	1/4	5/8
DPLE17-4N	3/0 Str	2	3	2 1/8	3	5 3/4	1/4	5/8
DPLE21-2N	4/0 Str	1	1 1/4	2 1/8	3	5 3/4	1/4	5/8
DPLE21-4N	4/0 Str	2	3	2 1/8	3	5 11/16	1/4	5/8
DPLE21-4N4	4/0 Str	2	4	2 3/32	4	6 25/32	11/32	1 1/8
DPLE25-2N	250 MCM	1	1 1/4	2 1/8	3	5 11/16	5/16	5/8
DPLE25-4N	250 MCM	2	3	2 1/8	3	5 11/16	5/16	5/8
DPLE30-2N	300 MCM	1	1 3/8	2 1/8	3	6 1/16	5/16	5/8
DPLE30-4N	300 MCM	2	3	2 1/8	3	6 1/16	5/16	5/8
DPLE35-2N	350 MCM	1	1 3/8	2 1/4	3	6 3/16	5/16	5/8
DPLE35-4N	350 MCM	2	3	2 1/4	3	6 3/16	5/16	5/8
DPLE40-2N	400 MCM	1	1 1/2	2 1/4	3	6 1/4	5/16	5/8
DPLE40-4N	400 MCM	2	3	2 1/4	3	6 1/4	5/16	5/8
DPLE50-2N	500 MCM	1	1 1/2	2 1/4	3	6 1/4	11/32	5/8
DPLE50-4N	500 MCM	2	3	2 1/4	3	6 1/4	11/32	5/8
DPLE50-4N4	500 MCM	2	4	2 5/16	4	7 3/8	11/32	1 1/8
DPLE60-2N	600 MCM	1	1 3/4	2 3/4	3	6 13/16	3/8	5/8
DPLE60-4N	600 MCM	2	3	2 3/4	3	6 13/16	3/8	5/8
DPLE65-2N	650 MCM	1	1 3/4	2 7/8	3	6 7/8	3/8	5/8
DPLE75-2N	750 MCM	1	1 3/4	3	3	7	3/8	5/8
DPLE75-4N	750 MCM	2	3	3	3	7	3/8	5/8
DPLE75-4N4	750 MCM	2	4	3	4	8	3/8	1 1/8
DPLE80-2N	800 MCM	1	1 3/4	3	3	7 1/8	3/8	5/8
DPLE80-4N	800 MCM	2	3	3	3	7 1/8	1/2	5/8
DPLE100-2N	1000 MCM	1	1 3/4	3	3	7 1/8	1/2	5/8
DPLE100-4N	1000 MCM	2	3	3	3	7 1/8	1/2	5/8
DPLE100-4N4	1000 MCM	2	4	3 3/8	4	8	3/8	1 1/8
DPLE125-2N	1250 MCM	1	2	3 1/4	3	7 5/8	1/2	5/8
DPLE125-4N	1250 MCM	2	3	3 1/4	3	7 5/8	1/2	5/8
DPLE150-2N	1500 MCM	1	2 5/8	3 1/4	3	7 3/4	9/16	5/8
DPLE150-4N	1500 MCM	2	3	3 1/4	3	7 3/4	9/16	5/8
DPLE150-4N4	1500 MCM	2	4	3 1/4	4	8 3/4	9/16	1 1/8
DPLE175-4N	1750 MCM	2	3	3 3/8	3	8	9/16	5/8
DPLE175-4N4	1750 MCM	2	4	3 3/8	4	9	9/16	1 1/8
DPLE200-2N	2000 MCM	1	2 3/4	3 3/8	3	7 3/4	5/8	5/8
DPLE200-4N	2000 MCM	2	3	3 3/8	3	7 3/4	5/8	5/8
DPLE200-4N4	2000 MCM	2	4	3 3/8	4	8 3/4	5/8	1 1/8

For information on installation tools refer to pages 246 and 247.