

DOSSERT®

TYPE CP

Pipe Coupler

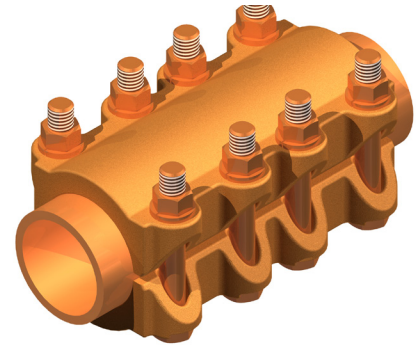
A bolted clamp type connector for coupling standard pipe size tubular buses. Rigidly constructed to withstand high bending stresses.

Material

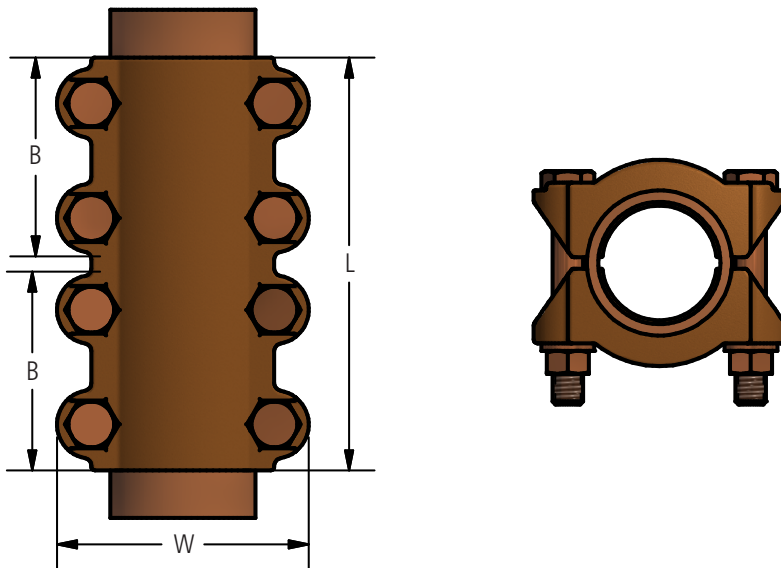
Copper Alloy

Hardware

Everdur bolts, nuts and lockwashers



Bronze Couplers



Ordering Information

CATALOG NUMBER	SPS	DIMENSIONS IN INCHES			BOLT SIZE
		B	L	W	
CP50	1/2	2-1/2	5-1/4	2-9/16	1/2
CP75	3/4	2-3/4	5-3/4	2-3/4	1/2
CP100	1	2-3/4	5-3/4	3-1/16	1/2
CP125	1-1/4	3	6-1/4	3-7/16	1/2
CP150	1-1/2	3	6-1/4	3-11/16	1/2
CP200	2	3-1/4	6-3/4	4-1/8	1/2
CP250	2-1/2	3-1/4	6-3/4	4-5/8	1/2
CP300	3	3-3/4	7-3/4	5-5/8	5/8
CP350	3-1/2	4	8-1/4	6-1/8	5/8
CP400	4	4-1/2	9-1/4	6-5/8	5/8
CP500	5	7	14-1/4	7-11/16	5/8
CP600	6	7	14-1/4	8-3/4	5/8