

### DOSSERT®

#### TYPE GPEX

#### Copper Universal Clamp For Cable

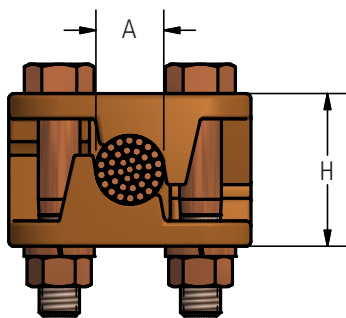
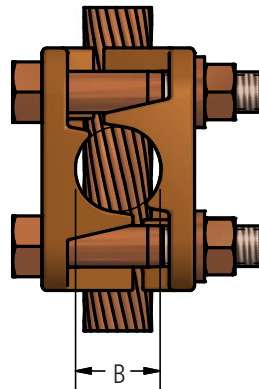
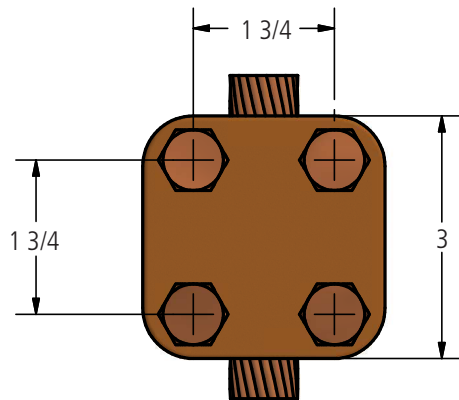
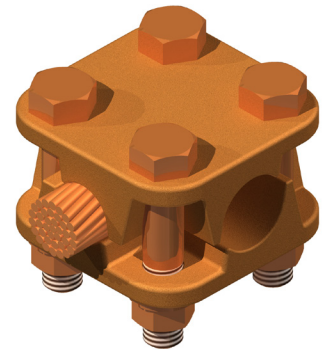
A versatile connector which takes a range of conductor sizes in two positions. Bolt positions held to NEMA standards enabling cable or pipe to be bolted directly to flat bar. Both outside faces machined flat for contact purposes. Used in conjunction with type CF braid straps to make various types of expansion connectors. Unless otherwise specified, bolt length supplied to accommodate one 1/4 inch bar.

#### Material

Copper Alloy

#### Hardware

Everdur bolts, nuts and lockwashers



### Ordering Information

CATALOG NUMBER	PIPE RANGE (A) SPS	CABLE RANGE A		DIAMETER RANGE A		PIPE RANGE (B) SPS	CABLE RANGE B		DIAMETER RANGE B		DIMENSIONS IN INCHES H
		MIN	MAX	MIN	MAX		MIN	MAX	MIN	MAX	
GPEX38-25	1/4	1 Stranded	4/0 Stranded	0.332	0.528	3/8	4/0 Stranded	350 MCM	0.528	0.681	1 3/8
GPEX75-50	1/2	300 MCM	500 MCM	0.630	0.814	3/4	550 MCM	800 MCM	0.855	1.031	1 5/8
GPEX100-75	3/4	550 MCM	800 MCM	0.855	1.031	1	900 MCM	1250 MCM	1.094	1.289	2 1/8