

## DOSSERT®

### TYPE QL, QL-E

#### Service Tap Connector For Cable To Flat Bus Bar

A versatile service tap connector which takes a wide range of cable sizes. Used for mounting on switch pads, current transformer terminals, and miscellaneous flat bus conductors. The single hole mounting enables the plane of the flat bus.

#### Material

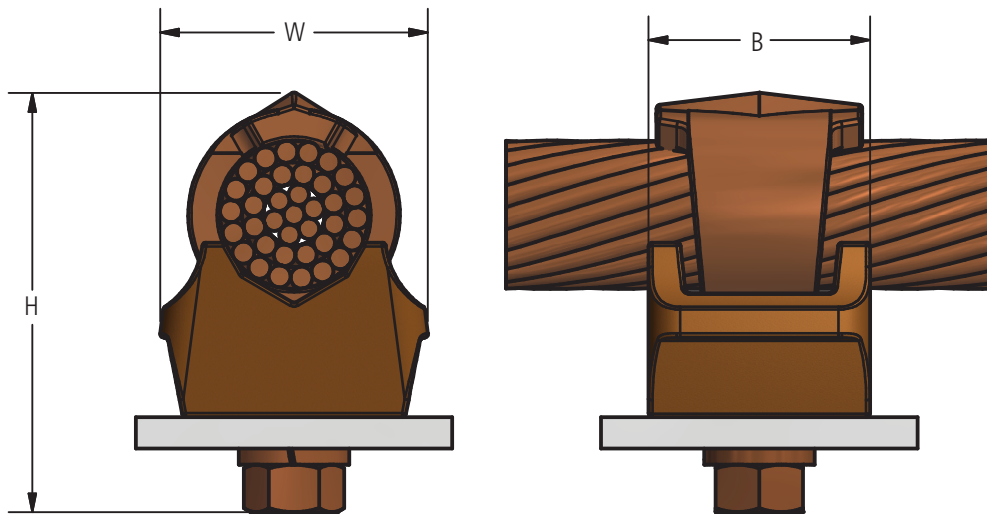
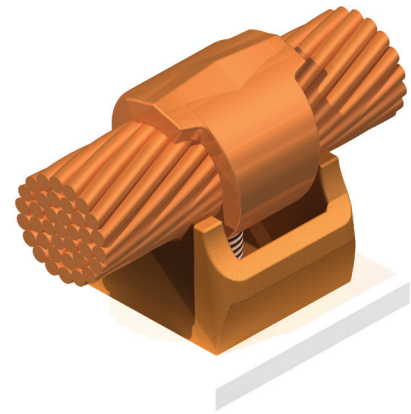
Copper Alloy

#### Hardware

Everdur nuts and lockwashers

#### Notes

- QL is for use with 1/4 inch bus bar. Type QL-E is for use with 1/2-3/4 inch bus bar.
- For Stainless Steel Hardware, add "-SS" to catalog number. EX: QL25-SS



Bronze Parallel, Cross, and Bar Taps

### Ordering Information

CATALOG NUMBER		CABLE RANGE		DIMENSIONS IN INCHES			U-BOLT SIZE
1/4" BAR	3/4" BAR	MIN	MAX	B	H MAX	W	
QL8	QL8E	10 Solid	#1 Stranded	1 1/16	1 15/16	7/8	3/8
QL13	QL13E	8 Solid	2/0 Stranded	1 1/4	2	1 1/16	3/8
QL13-50	QL13-50E	8 Solid	2/0 Stranded	1 1/4	2 1/4	1 1/16	1/2
QL25	QL25E	6 Solid	250 MCM	1 5/8	2 5/8	1 5/16	1/2
QL35	QL35E	2 Solid	350 MCM	1 11/16	2 3/4	1 3/8	1/2
QL50	QL50E	1/0 Solid	500 MCM	2 3/16	3 1/8	1 3/4	1/2
QL75	QL75E	350 MCM	750 MCM	2 1/4	3 1/4	1 7/8	1/2
QL100	QL100E	500 MCM	1000 MCM	2 1/4	3 3/8	2 1/16	1/2