

DOSSERT®

TYPE TL, TL-E, T2L, T2L-E Copper Low Mount Tap Lug For Cable To Flat Bar

A low mount tap lug for cable to bar connections. Finds wide application on current transformers and tap connections for metering equipment. See Type T2L for double tap design. Type T2L is designed to meet NEMA pad drilling and all sizes can mount side by side without interference.

Material

Copper Alloy

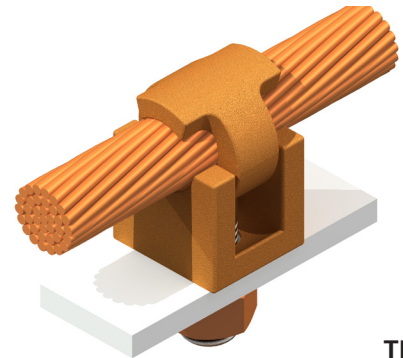
Eyebolt- Aluminum Bronze

Hardware

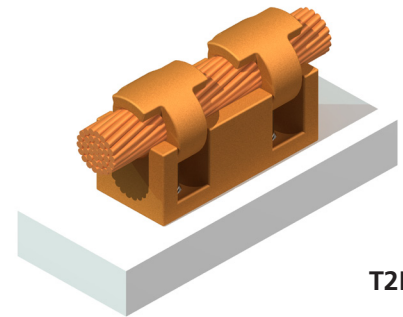
Nut and lock washers-Everdur.

Note

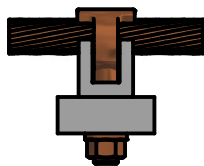
- Type TL is for use with 1/4 inch bar. Type TL-E is use with 1/2 - 3/4 inch bar.
- For Double Tap lug change TL to T2L.
- For Silver palated finish add suffix (AG) to catalog number Ex: TL13-AG



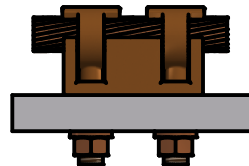
TL



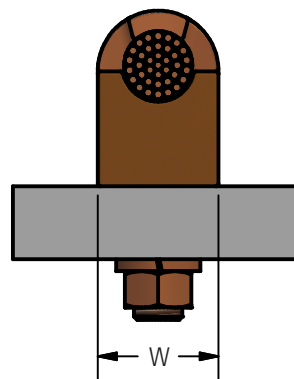
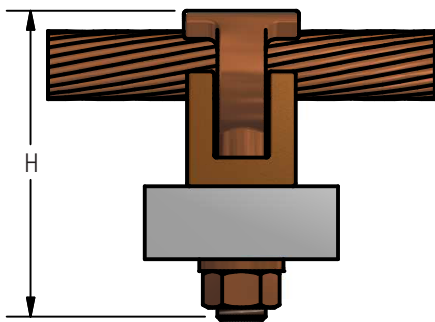
T2L



TL AND TL-E



T2L AND T2L-E



Ordering Information

CATALOG NUMBER	FOR BAR THICKNESS		CABLE RANGE		DIMENSIONS IN INCHES COMMON TO BOTH 1/4 AND 3/4 TYPES			
	1/4"	3/4"	MIN	MAX	B	W	BOLT SIZE	
TL6	1 3/4	TL6E	2 1/4	10 Solid	#2 Str	13/16	3/4	3/8
TL13	2 3/16	TL13E	2 11/16	8 Solid	2/0 Str	1	1	1/2
TL25	2 7/16	TL25E	2 15/16	6 Solid	250 MCM	1	1	1/2
TL35	2 11/16	TL35E	3 3/16	2 Solid	350 MCM	1 1/8	1 1/4	1/2
TL50	2 7/8	TL50E	3 3/8	#1/0 Solid	500 MCM	1 5/16	1 5/16	1/2
TL75	2 13/16	TL75E	3 5/16	350 MCM	750 MCM	1 3/8	1 1/2	1/2
TL100	3 1/4	TL100E	3 3/4	500 MCM	1000 MCM	1 1/2	1 11/16	1/2