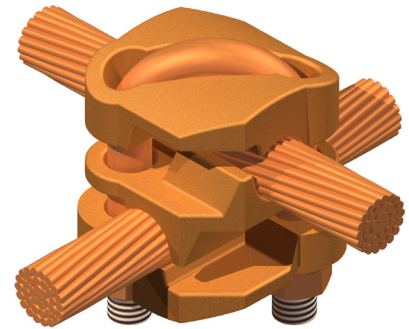


## DOSSERT®

### TYPE GG

#### Copper Ground Connector For Crossing Two Cables Or Ground Rod

A ground connector for crossing two wires or cables or for securing a cable or wire to a ground rod. Can also be used for equalizing over head cables and wire. Its high resistance to corrosion enables this connector to be buried in the ground after a connection is made.

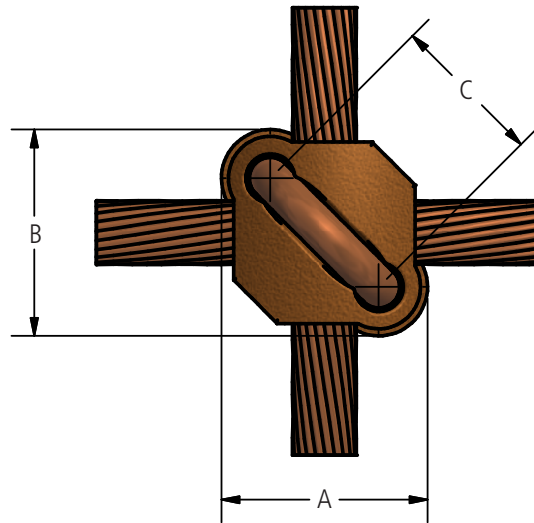
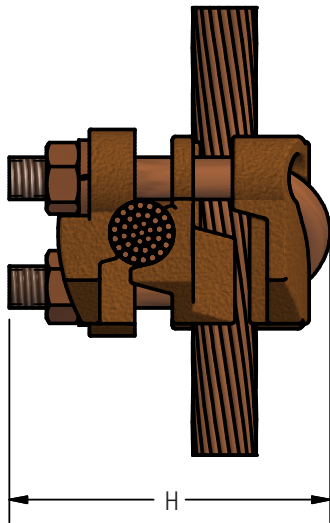


#### Material

Copper Alloy

#### Hardware

Everdur U-bolts, nuts and lockwashers



### Ordering Information

CATALOG NUMBER	GROUND ROD	CABLE RANGE				DIMENSIONS IN INCHES				BOLT SIZE
		RUN		TAP		A	B	C	H	
		MIN	MAX	MIN	MAX					
GG4-4	-	8 Solid	4 Stranded	8 Solid	4 Stranded	1 17/32	1 17/32	15/16	1 3/4	3/8
GG13-4	3/8	4 Solid	2/0 Stranded	8 Solid	4 Stranded	1 23/32	1 17/32	1 1/16	2 1/8	3/8
GG13-13	3/8	4 Solid	2/0 Stranded	4 Solid	2/0 Stranded	1 23/32	1 23/32	1 1/8	2 5/16	3/8
GG25-4	1/2	2/0 Solid	250 MCM	8 Solid	4 Stranded	1 27/32	1 17/32	1 3/16	2 1/4	3/8
GG25-13	1/2	2/0 Solid	250 MCM	4 Solid	2/0 Stranded	1 27/32	1 23/32	1 9/32	2 1/2	3/8
GG25-25	1/2	2/0 Solid	250 MCM	2/0 Solid	250 MCM	1 27/32	1 27/32	1 3/8	2 5/8	3/8
GG50-4	3/4	300 MCM	500 MCM	8 Solid	4 Stranded	2 3/32	1 17/32	1 3/8	2 1/2	3/8
GG50-13	3/4	300 MCM	500 MCM	4 Solid	2/0 Stranded	2 3/32	1 23/32	1 15/32	2 3/4	3/8
GG50-25	3/4	300 MCM	500 MCM	2/0 Solid	250 MCM	2 3/32	1 27/32	1 9/16	2 7/8	3/8
GG50-50	3/4	300 MCM	500 MCM	300 MCM	500 MCM	2 3/32	2 3/32	1 23/32	3 3/8	1/2
GG75-4	1	500 MCM	750 MCM	8 Solid	4 Stranded	2 9/32	1 17/32	1 9/16	2 3/4	3/8
GG75-13	1	500 MCM	750 MCM	4 Solid	2/0 Stranded	2 9/32	1 23/32	1 21/32	3	3/8
GG75-25	1	500 MCM	750 MCM	2/0 Solid	250 MCM	2 9/32	1 27/32	1 23/32	3 1/8	3/8
GG75-50	1	500 MCM	750 MCM	300 MCM	500 MCM	2 21/32	2 3/32	1 31/32	3 5/8	1/2
GG75-75	1	500 MCM	750 MCM	500 MCM	750 MCM	2 21/32	2 21/32	2 3/16	3 15/16	1/2
GG100-4	-	750 MCM	1000 MCM	8 Solid	4 Stranded	2 7/16	1 17/32	1 23/32	3	3/8
GG100-13	-	750 MCM	1000 MCM	4 Solid	2/0 Stranded	2 7/16	1 23/32	1 25/32	3 1/4	3/8
GG100-25	-	750 MCM	1000 MCM	2/0 Solid	250 MCM	2 7/16	1 27/32	1 27/32	3 1/2	3/8
GG100-50	-	750 MCM	1000 MCM	300 MCM	500 MCM	2 13/16	2 3/32	2 3/32	3 13/16	1/2
GG100-75	-	750 MCM	1000 MCM	500 MCM	750 MCM	2 13/16	2 21/32	2 9/32	4 1/16	1/2
GG100-100	-	750 MCM	1000 MCM	750 MCM	1000 MCM	2 13/16	2 13/16	2 13/32	4 1/4	1/2