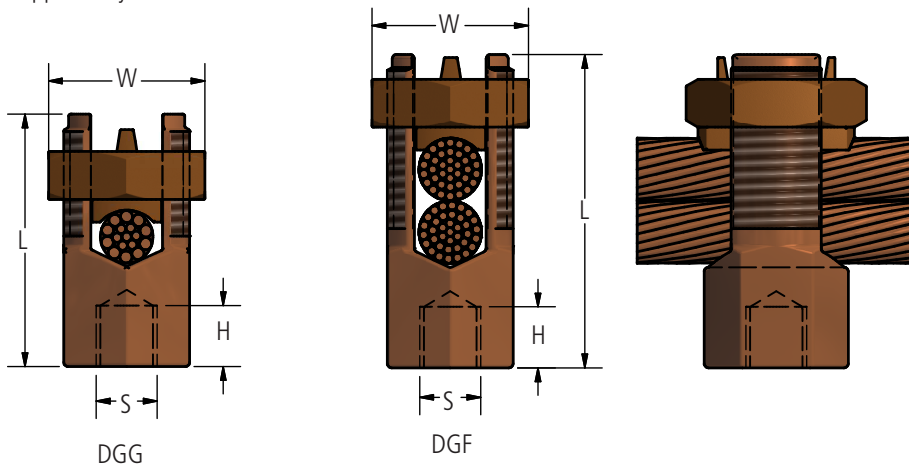
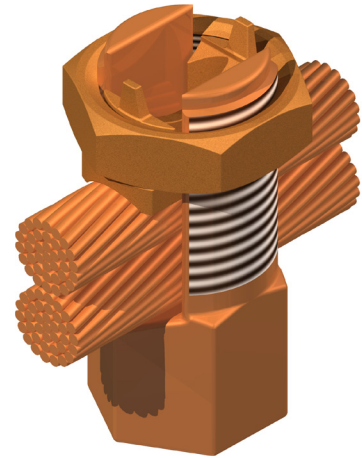


## DOSSERT® TYPE DGF, DGG Copper Grounding Connector

Copper grounding connector for cable to structural steel, fence posts or groundplates. DGF accommodates two conductors and DGG accommodates one conductor.

### Material

Copper Alloy



### Ordering Information

CATALOG NUMBER		STRANDED CONDUCTOR SIZE		DIMENSIONS IN INCHES			
DGF SERIES	DGG SERIES	MIN	MAX	H	L	S	W
DGF1	DGG1	12 AWG	8 AWG	1/4	15/16	1/4-20	1/2
DGF2	DGG2	10 STR	7 STR	1/4	1 1/16	1/4-20	5/8
DGF3	DGG3	6 STR	5 STR	5/16	1 1/4	5/16-18	11/16
DGF5	DGG5	6 STR	3 STR	3/8	1 7/16	3/8-16	3/4
DGF6	DGG6	4 STR	2 STR	1	1 1/2	3/8-16	16/16
DGF10	DGG10	2 STR	1/0 STR	1/2	1 7/8	1/2-13	15/16
DGF13	DGG13	1/0 STR	2/0 STR	1/2	2	1/2-13	1 1/8
DGF21	DGG21	2/0 STR	4/0 STR	5/8	2 3/8	5/8-11	1 3/8
DGF35	DGG35	4/0 STR	350 MCM	5/8	2 3/4	5/8-11	1 11/16
DGF50	DGG50	300 MCM	500 MCM	3/4	3 1/8	3/4-10	2
DGF75	DGG75	500 MCM	750 MCM	7/8	4	7/8-9	2 3/8
DGF100	DGG100	750 MCM	1000 MCM	1	4 11/16	1-8	2 3/4

Bronze Parallel, Cross, and Bar Taps