

DOSSERT®

TYPE DS

DS is a copper split bolt connector.

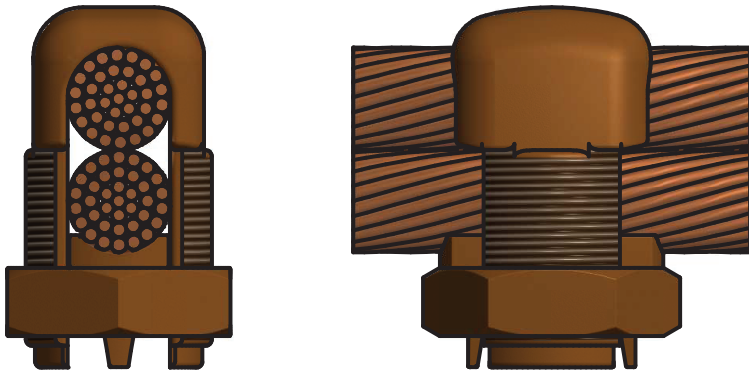
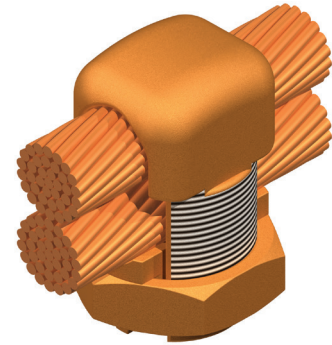
For quick, efficient connections of solid and stranded conductors in sizes No. 14 to 1000 MCM. High contact pressure between conductors assures trouble-free performance.

Material

Copper Alloy

Notes

Catalog Numbers with * in front of the number will accommodate 3 wires of maximum size.



Ordering Information

CATALOG NUMBER	TWO CABLES EQUAL SIZE		MIN TAP WITH MAX RUN	QUANTITY IN CARTON
	MIN	MAX		
DS1	#12 Sol	#8 Str	#14 Sol	100
DS2	#10 Sol	#6 Sol	#14 Sol	100
*DS2-3	#10 Sol	#6 Sol	#14 Sol	100
DS3	#8 Sol	#4 Sol	#14 Sol	100
*DS3-3	#8 Sol	#4 Sol	#14 Sol	100
DS5	#6 Sol	#2 Sol	#14 Sol	100
*DS5-3	#6 Sol	#2 Sol	#14 Sol	100
DS6	#6 Sol	#2 Str	#14 Sol	100
*DS6-3	#6 Sol	#2 Str	#14 Sol	100
DS10	#4 Sol	1/0 Str	#14 Sol	50
DS13	#2 Sol	2/0 Str	#14 Sol	25
DS17	#2 Sol	3/0 Str	#12 Sol	25
DS25C	1/0 Sol	250 MCM	#8 Sol	25
DS35	2/0 Sol	350 MCM	#8 Sol	12
DS50	250 MCM	500 MCM	#8 Sol	12
DS75	350 MCM	750 MCM	#8 Sol	6
DS100	500 MCM	1000 MCM	#8 Sol	6