

DOSSERT®

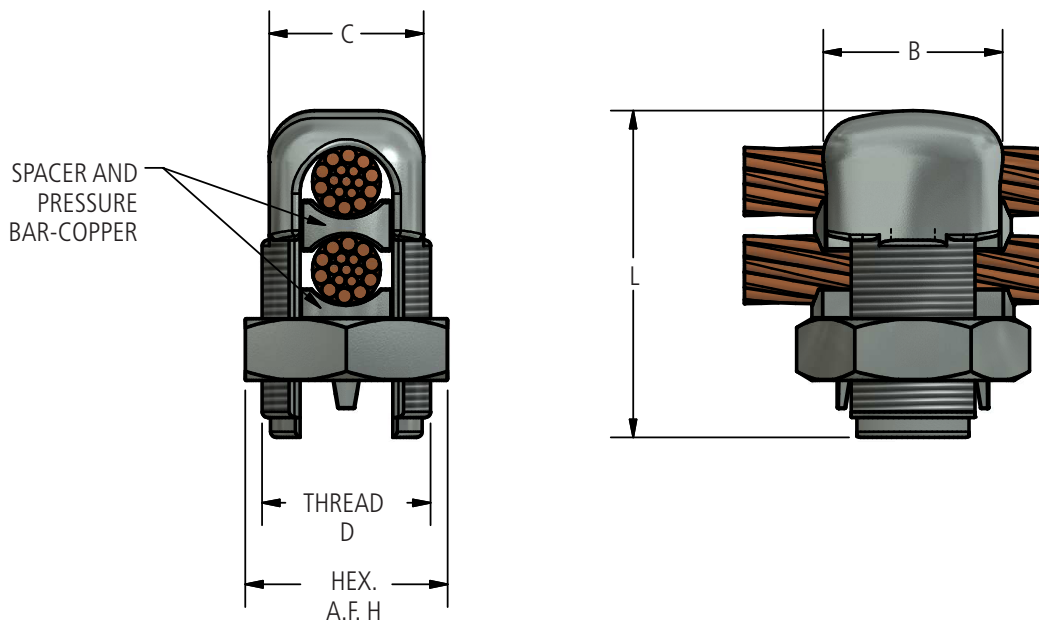
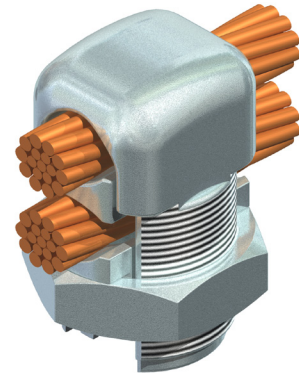
TYPE DSNS

Tin Plated Copper Split Bolt Connector With Spacer

Copper split bolt connector similar to TYPE DS with spacer and plated to accommodate Steel and Aluminum cable. These parts are rated for Aluminum to Aluminum, Copper to Copper and Copper to Aluminum connections.

Material

Tin Plated Copper Alloy



Ordering Information

CATALOG NUMBER	CONDUCTOR RUN COPPER OR ALUMINUM		CONDUCTOR TAP COPPER OR ALUMINUM		CONDUCTOR RUN ACSR		CONDUCTOR TAP ACSR		QUANTITY IN CARTON
	MIN	MAX	MIN	MAX	MIN	MAX	MIN	MAX	
DSNS2	#14 Str	#6 Sol	#12 Str	#6 Sol	-	8	-	8	100
DSNS3	#10 Str	#4 Sol	#10 Str	#4 Sol	-	6	-	6	100
DSNS5	#10 Str	#2 Sol	#10 Str	#2 Sol	-	6	-	6	100
DSNS6	#8 Str	#2 Str	#8 Sol	#2 Str	6	2	6	2	100
DSNS10	#6 Str	1/0 Str	#6 Sol	1/0 Str	6	1	6	1	50
DSNS13	#6 Str	2/0 Str	#6 Str	2/0 Str	6	1/0	6	1/0	25
DSNS17	#4 Str	3/0 Str	#4 Str	3/0 Str	6	2/0	6	2/0	25
DSNS25C	1/0 Str	250 MCM	#4 Sol	250 MCM	1/0	4/0	4	4/0	25
DSNS35	4/0 Str	350 MCM	#2 Sol	350 MCM	4/0	266.8	2	266.8	12
DSNS50	250 MCM	500 MCM	1/0 Str	500 MCM	500 MCM	397.5	1/0	397.5	12
DSNS75	350 MCM	750 MCM	3/0 Str	750 MCM	750 MCM	666.6	3/0	666.6	6
DSNS100	500 MCM	1000 MCM	4/0 Str	1000 MCM	1000 MCM	900	4/0	900	6