

DOSSERT®

TYPE DSUN

Heavy Duty Tin Plated Copper Service

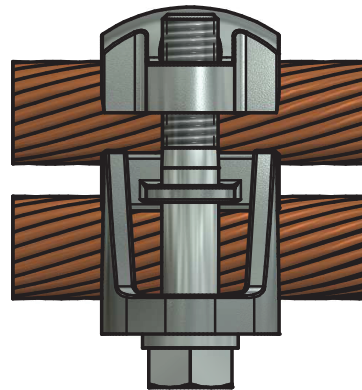
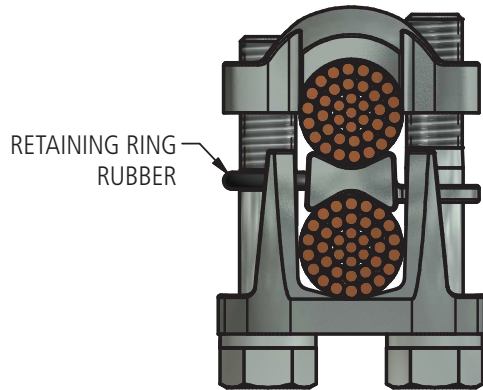
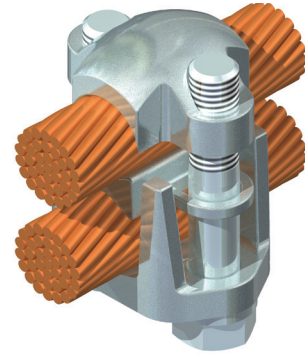
Rugged high strength but compact and easy to tape service connector. Washer and swivel action permit easy installation of conductors without inconvenience of loose hardware. Designed with extra wide contact. Particularly suitable for heavy duty permanent connections. Tin Plated with a spacer bar to accommodate all combinations of copper, aluminum and ACSR conductor.

Material

Tin plated copper alloy

Hardware

Everdur bolts and lockwashers



Ordering Information

CATALOG NUMBER	CABLE RUN AND TAP				STEEL DIAMETER IN INCHES	SHIPPING WEIGHT POUNDS PER CARTON	QUANTITY IN CARTON
	COPPER	COPPERCLAD	ALUMINUM AWG	ALUMINUM ACSR			
DSUN10	1/0 Str.-2/0 Solid	2/0 Solid	1/0 Stranded	1/0	-	24	25
DSUN13	2/0 Str.-3/0 Solid	3/0 Solid	2/0 Stranded	2/0	7/16	50	25
DSUN21	4/0 Sol.-4/0	4/0 Solid	4/0 Stranded	3/0	1/2	72	25
DSUN35	350 MCM	-	350 MCM	300 MCM	5/8	120	12
DSUN50	500 MCM	-	500 MCM	397.5 MCM	3/4	150	12
DSUN80	800 MCM	-	800 MCM	715.5 MCM	1	240	6
DSUN100	1000 MCM	-	1000 MCM	900 MCM	1 1/8	320	6