

DOSSERT® TYPE UDV Compact Parallel Groove Connector

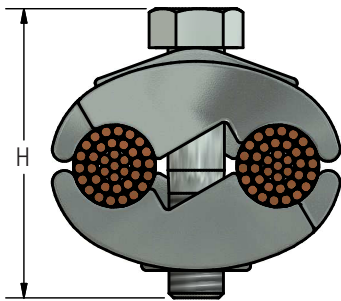
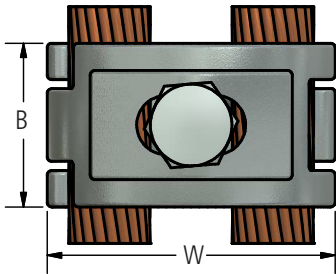
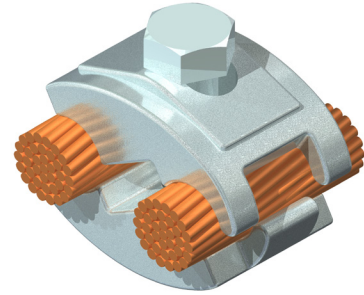
A compact parallel groove connector which is designed for use on either copper, aluminum, ACSR, copperweld, amerductor, steel, or any combination thereof. This light duty connector accepts a wide range of conductor sizes.

Material

Tin Plated Copper Alloy

Hardware

Everdur bolts, nuts and lockwashers



Ordering Information

| CATALOG NUMBER | DIMENSIONS IN INCHES | | | |
|----------------|----------------------|--------|--------|-----------|
| | B | H | W | BOLT SIZE |
| UDV13 | 1 | 1 3/16 | 1 7/16 | 5/16 |
| UDV21 | 1 1/8 | 1 1/2 | 1 3/4 | 3/8 |

| CONDUCTORS | CONDUCTOR RANGE | | | |
|----------------------------|-----------------|-----------|-----------------|-----------|
| | UDV13 | | UDV21 | |
| | CONDUCTOR RANGE | | CONDUCTOR RANGE | |
| | MIN | MAX | MIN | MAX |
| COPPER | #8 SOL. | 2/0 STR. | #2 SOL. | 4/0 STR. |
| A.C.S.R. | #6 | 1/0 | #3 | 4/0 |
| COPPER WELD | #8 | 7 #7 | 3 #8 | 7 #6 |
| A.C.S.R. OVER ARMOR ROD | #6 | | #6 | #3 |
| STEEL GUY WIRE | 1/6 | 4/9 | 2/7 | 4/7 |
| STEEL | #8 SOL. | #4-3 WIRE | | #4-3 WIRE |
| AMERDUCTOR TYPES SCP & SCB | #12 | #2 | #4 | #2 |