

DOSSERT®

TYPE WC

Cable Clip For Securing Ends Of Cable

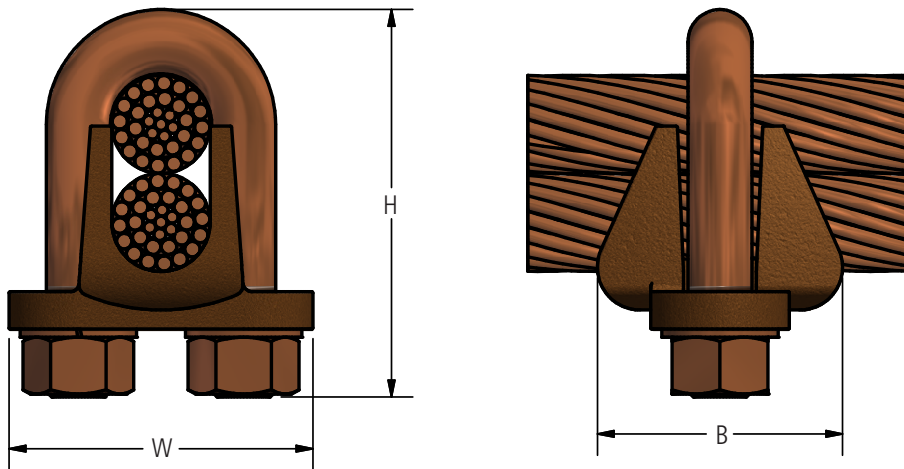
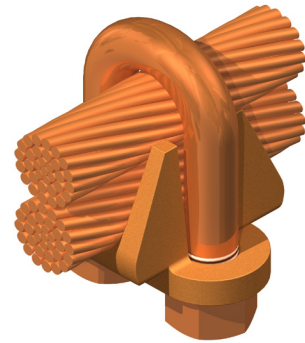
A high strength wire or cable clip for securing the ends of wire or cable conductors or grounds. Completely corrosion resistant.

Material

Copper Alloy

Hardware

Everdur U-bolts, nuts and lockwashers



Ordering Information

CATALOG NUMBER	CABLE RANGE			DIMENSIONS IN INCHES			U-BOLT SIZE
	COPPER WIRE		GUY WIRE	B	H	W	
	MIN	MAX					
WC4	-	4 STR	1/4	1 1/4	1 5/8	1 3/4	3/8
WC6	-	3 STR	5/16	1 1/4	1 3/4	1 3/4	3/8
WC10	-	1/0 STR	3/8	1 1/4	2	1 3/4	1/2
WC13	-	2/0 STR	7/16	1 3/8	2 7/16	2 1/4	1/2
WC21	3/0 STR	4/0 STR	1/2	1 5/8	2 1/2	2 1/4	5/8
WC30	4/0 STR	300 MCM	5/8	1 5/8	3	2 5/16	5/8
WC40	350MCM	400 MCM	3/4	2	3 3/8	2 3/4	3/4
WC55	450MCM	550 MCM	7/8	2	3 5/8	2 7/8	3/4
WC75	600MCM	750MCM	1	2 1/2	4 3/8	3 3/8	3/4

Bronze Parallel, Cross, and Bar Taps