

## DOSSERT® TYPE UT, UUT U-Bolt Tee Connector

A rugged U-bolt high compression clamp type tee connector which takes a wide range of cable sizes in both the run and tap sections. Designed to withstand high compressive clamping action on all cables within specified cable ranges.

### Material

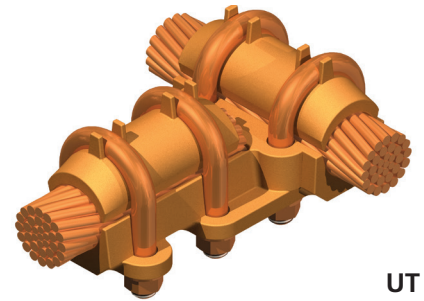
Copper Alloy

### Hardware

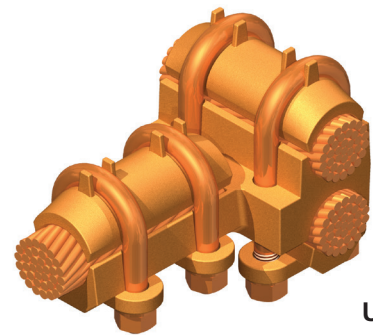
Everdur U-bolts, nuts, and lockwashers

### Notes

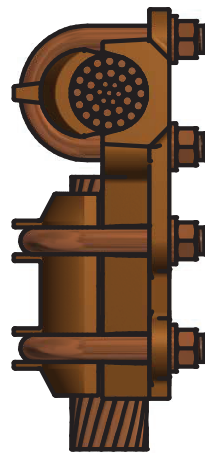
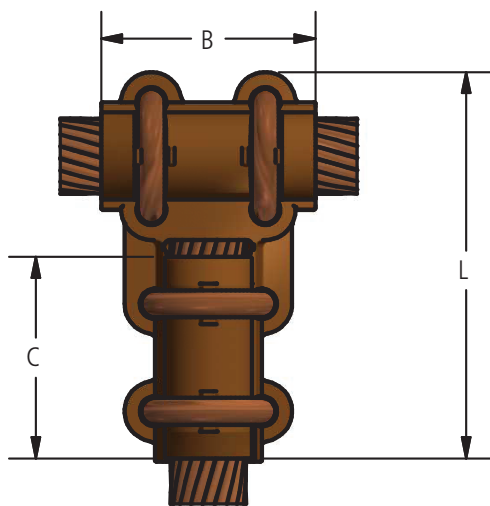
- For a 500 MCM cable tee connector, single tap, SINGLE run, order UT50-50.
- For a 500 MCM cable tee connector, single tap, DOUBLE run, order UUT50-50.
- For tin plating, add "-SN" to end of catalog number. EX: UT50-50-SN



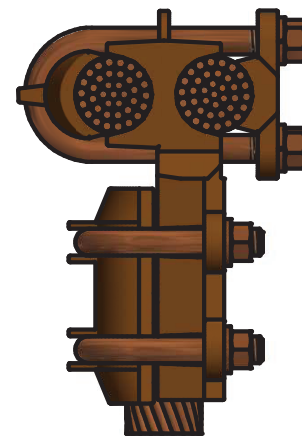
UT



UUT



UT



UUT

## DOSSERT® TYPE UT, UUT U-Bolt Tee Connector

### Ordering Information

CATALOG NUMBER		CABLE RANGE				DIMENSIONS IN INCHES				
		RUN		TAP		B	C	L	U-BOLT DIA.	
SINGLE RUN	DOUBLE RUN	MIN	MAX	MIN	MAX				U-BOLT DIA. RUN	U-BOLT DIA. TAP
UT13-13	UUT13-13	#6 Stranded	2/0 Stranded	#6 Stranded	2/0 Stranded	2 1/2	2 1/2	4 1/4	3/8	5/16
UT21-21	UUT21-21	#1 Stranded	4/0 Stranded	#1 Stranded	4/0 Stranded	2 5/8	2 5/8	4 1/2	3/8	3/8
UT30-13	UUT30-13	1/0 Stranded	300 MCM	#6 Stranded	2/0 Stranded	2 3/4	2 3/4	4 1/4	3/8	5/16
UT30-30	UUT30-30	1/0 Stranded	300 MCM	1/0 Stranded	300 MCM	2 3/4	2 3/4	4 1/2	3/8	3/8
UT50-13	UUT50-13	300 MCM	500 MCM	#6 Stranded	2/0 Stranded	3	2 1/2	4 3/8	1/2	5/16
UT50-21	UUT50-21	300 MCM	500 MCM	#1 Stranded	4/0 Stranded	3	2 5/8	4 3/4	1/2	3/8
UT50-30	UUT50-30	300 MCM	500 MCM	1/0 Stranded	300 MCM	3	2 3/4	4 7/8	1/2	3/8
UT50-50	UUT50-50	300 MCM	500 MCM	300 MCM	500 MCM	3	3	5 1/8	1/2	3/8
UT80-13	UUT80-13	500 MCM	800 MCM	#6 Stranded	2/0 Stranded	3 1/4	2 1/2	5 1/4	1/2	5/16
UT80-21	UUT80-21	500 MCM	800 MCM	#1 Stranded	4/0 Stranded	3 1/4	2 5/8	5 7/8	1/2	3/8
UT80-30	UUT80-30	500 MCM	800 MCM	1/0 Stranded	300 MCM	3 1/4	2 3/4	6	1/2	3/8
UT80-50	UUT80-50	500 MCM	800 MCM	300 MCM	500 MCM	3 1/4	3	6 1/4	1/2	3/8
UT80-80	UUT80-80	500 MCM	800 MCM	500 MCM	800 MCM	3 1/4	3 1/4	6 1/2	1/2	1/2
UT100-13	UUT100-13	750 MCM	1000 MCM	#6 Stranded	2/0 Stranded	3 1/2	2 1/2	5 1/2	1/2	5/16
UT100-21	UUT100-21	750 MCM	1000 MCM	#1 Stranded	4/0 Stranded	3 1/2	2 5/8	5 5/8	1/2	3/8
UT100-30	UUT100-30	750 MCM	1000 MCM	1/0 Stranded	300 MCM	3 1/2	2 3/4	5 3/4	1/2	3/8
UT100-50	UUT100-50	750 MCM	1000 MCM	300 MCM	500 MCM	3 1/2	3	6	1/2	3/8
UT100-80	UUT100-80	750 MCM	1000 MCM	500 MCM	800 MCM	3 1/2	3 1/4	6 1/4	1/2	1/2
UT100-100	UUT100-100	750 MCM	1000 MCM	750 MCM	1000 MCM	3 1/2	3 1/2	6 1/2	1/2	1/2
UT150-13	UUT150-13	1000 MCM	2000 MCM	#6 Stranded	2/0 Stranded	4	2 1/2	5 3/4	1/2	5/16
UT150-21	UUT150-21	1000 MCM	2000 MCM	#1 Stranded	4/0 Stranded	4	2 5/8	5 7/8	1/2	3/8
UT150-30	UUT150-30	1000 MCM	2000 MCM	1/0 Stranded	300 MCM	4	2 3/4	6	1/2	3/8
UT150-50	UUT150-50	1000 MCM	2000 MCM	300 MCM	500 MCM	4	3	6 1/4	1/2	3/8
UT150-80	UUT150-80	1000 MCM	2000 MCM	500 MCM	800 MCM	4	3 1/4	6 1/2	1/2	1/2
UT150-100	UUT150-100	1000 MCM	2000 MCM	750 MCM	1000 MCM	4	3 1/2	6 3/4	1/2	1/2
UT150-150	UUT150-150	1000 MCM	2000 MCM	1000 MCM	2000 MCM	4	3 7/8	7 1/4	1/2	1/2
UT200-30	UUT200-30	1500 MCM	2000 MCM	1/0 Stranded	300 MCM	4 1/2	2 3/4	6 1/2	1/2	3/8
UT200-50	UUT200-50	1500 MCM	2000 MCM	300 MCM	500 MCM	4 1/2	3	6 3/4	1/2	3/8
UT200-80	UUT200-80	1500 MCM	2000 MCM	500 MCM	800 MCM	4 1/2	3 1/4	7	5/8	1/2
UT200-100	UUT200-100	1500 MCM	2000 MCM	750 MCM	1000 MCM	4 1/2	3 1/2	7 1/4	5/8	1/2
UT200-150	UUT200-150	1500 MCM	2000 MCM	1000 MCM	1500 MCM	4 1/2	4	7 3/4	5/8	1/2
UT200-200	UUT200-200	1500 MCM	2000 MCM	1500 MCM	2000 MCM	4 1/2	4 1/2	8 3/16	1/2	1/2

Bronze Elbows  
Tee & Vee Connectors