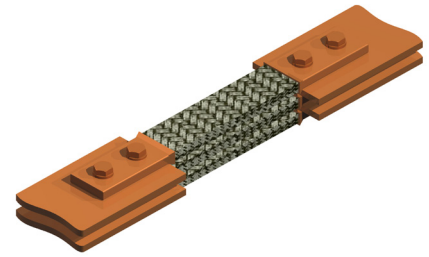


### DOSSERT®

#### TYPE CFC Flexible Copper Braid

Composite flexible copper braid for linking conductors that are subject to motion. The braid is tin plated copper wire, terminated at each end by a non-plated pad.

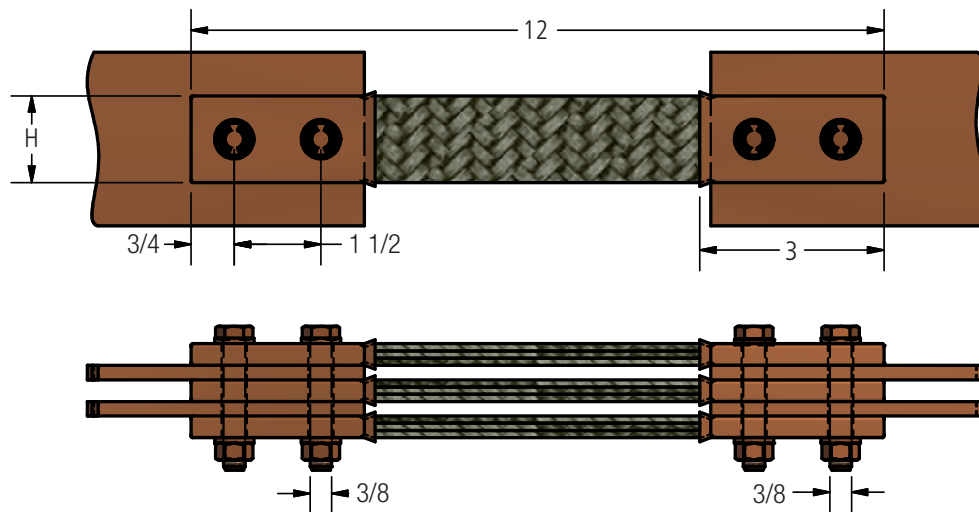


#### Material

Copper

#### Note

- Braid may be custom made for any configuration of length, pad size or hole diameter.
- For tin plated contact pads add suffix "-SN" to end of catalog number. Ex: CFC1-2-SN
- For undrilled contact pads add suffix "-U" to end of catalog number. Ex: CF771-U



#### Ordering Information

CATALOG NUMBER	NUMBER OF BARS	DIMENSIONS IN INCHES		INDOOR AMPERE RATING*
		WIDTH OF BARS	H	
CFC1-2	1	2	1 1/2	700
CFC1-3	1	3	1 1/2	1000
CFC1-4	1	4	1 1/2	1350
CFC1-5	1	5	1 1/2	1600
CFC2-2	2	2	2	1200
CFC2-3	2	3	2	1650
CFC2-4	2	4	2 1/2	2250
CFC2-5	2	5	2	2650
CFC3-2	3	2	2 1/2	1650
CFC3-3	3	3	2 1/2	2000
CFC3-4	3	4	2 3/4	2700
CFC3-5	3	5	2 1/2	3200
CFC4-2	4	2	2 1/2	1800
CFC4-3	4	3	2 3/4	2250
CFC4-4	4	4	3 1/2	3000
CFC4-5	4	5	3	3500

\*Note: A.C. Ampere ratings in still but confined air for maximum temperature rise 30°C above 40°C ambient with major surfaces of braid in horizontal position.