

### DOSSERT®

#### TYPE XTS

#### Copper Flexible Connector For Tubular Bus To Flat

A clamp type connector terminating a tubular bus to a flat bus, plate or stud through a flexible copper strap. The flexible copper strap absorbs operating vibrations and permits free axial movement of the tubular bus.

#### Material

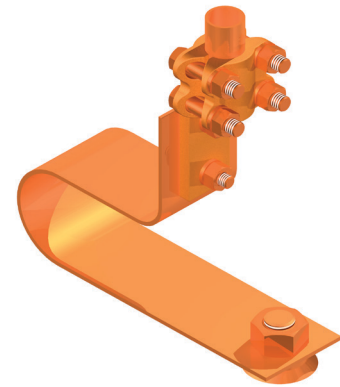
Copper Alloy

#### Lamination Material

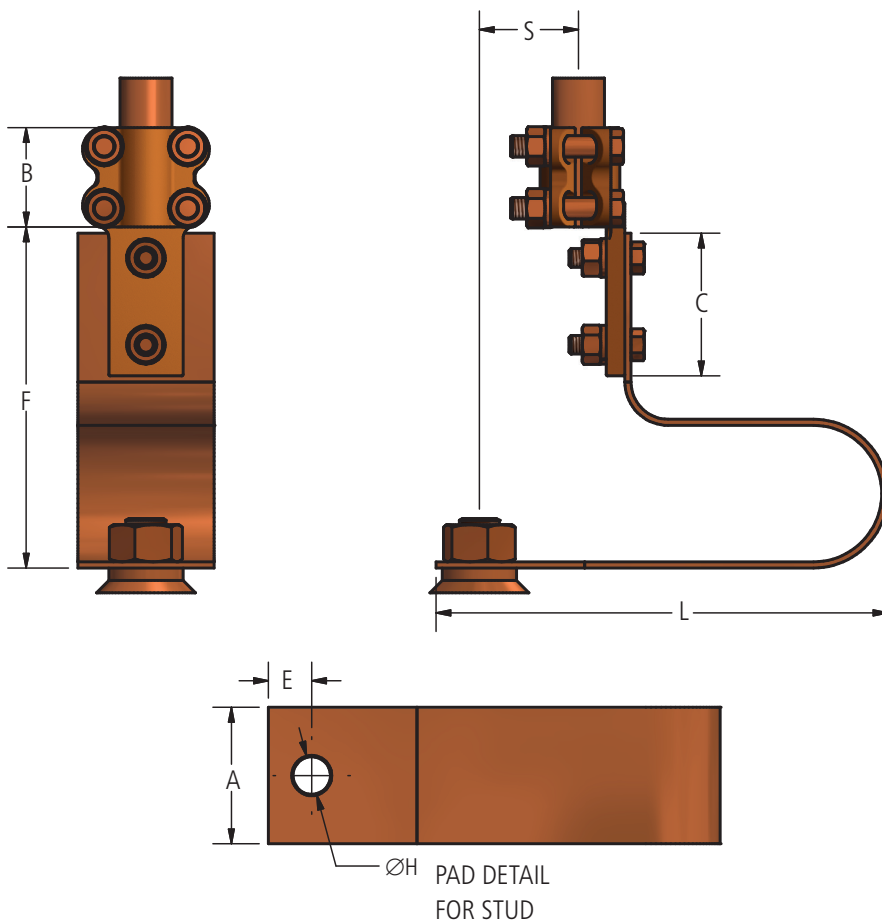
Copper Alloy

#### Hardware

Everdur bolts, nuts and lockwashers



Bronze Braided or Laminated Expansion





# Bronze Braided or Laminated Expansion

## DOSSERT®

### TYPE XTS

Copper Flexible Connector For Tubular Bus To Flat

### Ordering Information

CATALOG NUMBER	SPS	STUD DIAMETER	NUMBER OF STRAPS	DIMENSIONS IN INCHES								BOLT SIZE
				A	B	C	E	F	H	L	S	
XTS25-63	1/4	5/8	1	1 1/2	2	1 7/8	11/16	6 1/2	11/16	6 5/8	1 3/8	3/8
XTS38-63	3/8	5/8	1	2	2	1 7/8	11/16	6 1/2	11/16	6 3/4	1 3/8	3/8
XTS50-63	1/2	5/8	1	2 1/4	2	2 1/4	11/16	7	11/16	7 3/8	1 1/2	3/8
XTS75-63	3/4	5/8	1	2 3/4	2	2 1/4	11/16	7	11/16	7 5/8	1 3/8	3/8
XTS50-75	1/2	3/4	1	2 1/4	2	2 1/4	7/8	7	13/16	7 5/8	1 1/2	3/8
XTS75-75	3/4	3/4	1	4	2	2 1/4	7/8	7	13/16	8 1/4	1 3/8	3/8
XTS100-75	1	3/4	1	3	2 1/8	2 1/4	7/8	7	13/16	8 3/4	1 1/4	3/8
XTS125-75	1 1/4	3/4	2	2 1/2	2 1/2	3	7/8	7	13/16	9 1/4	1 1/16	1/2
XTS75-88	3/4	7/8	1	2 3/4	2	2 1/4	1	7 3/8	15/16	8 1/4	1 3/8	3/8
XTS100-88	1	7/8	1	3	2 1/8	2 1/4	1	7 3/8	15/16	8 3/4	1 1/4	3/8
XTS125-88	1 1/4	7/8	2	2 1/2	2 1/2	3	1	7 3/8	15/16	9 1/4	1 1/16	1/2
XTS150-88	1 1/2	7/8	2	3	2 5/8	3 1/4	1	7 3/8	15/16	9 3/4	15/16	1/2
XTS75-100	3/4	1	1	2 3/4	2	2 1/4	1 1/16	7 5/8	1 1/16	8 1/4	1 3/8	3/8
XTS100-100	1	1	1	3	2 1/8	2 1/4	1 1/16	7 5/8	1 1/16	8 3/4	1 1/4	3/8
XTS125-100	1 1/4	1	2	2 1/2	2 1/2	3	1 1/16	7 5/8	1 1/16	9 1/4	1 1/16	1/2
XTS150-100	1 1/2	1	2	3	2 5/8	3 1/4	1 1/16	7 5/8	1 1/16	9 3/4	15/16	1/2
XTS75-112	3/4	1 1/8	1	2 3/4	2	2 1/4	1 3/16	7 7/8	1 3/16	8 1/4	1 3/8	3/8
XTS100-112	1	1 1/8	1	3	2 1/8	2 1/4	1 3/16	7 7/8	1 3/16	8 3/4	1 1/4	3/8
XTS125-112	1 1/4	1 1/8	2	2 1/2	2 1/2	3	1 3/16	7 7/8	1 3/16	9 1/4	1 1/16	1/2
XTS150-112	1 1/2	1 1/8	2	3	2 5/8	3 1/4	1 5/16	7 7/8	1 3/16	9 3/4	15/16	1/2
XTS100-125	1	1 1/4	1	3	2 1/8	2 1/4	1 5/16	8 1/8	1 5/16	8 3/4	1 1/4	3/8
XTS125-125	1 1/4	1 1/4	2	2 1/2	2 1/2	3	1 5/16	8 1/8	1 5/16	9 1/4	1 1/16	1/2
XTS150-125	1 1/2	1 1/4	2	3	2 5/8	3 1/4	1 7/16	8 1/8	1 5/16	9 3/4	15/16	1/2
XTS200-125	2	1 1/4	2	3 1/2	2 3/4	3 1/4	1 7/16	8 1/8	1 5/16	10 1/4	3/4	1/2
XTS100-150	1	1 1/2	1	3	2 1/8	2 1/4	1 7/16	8 3/8	1 9/16	8 3/4	1 1/4	3/8
XTS125-150	1 1/4	1 1/2	2	2 1/2	2 1/2	3	1 7/16	8 3/8	1 9/16	9 1/4	1 1/16	1/2
XTS150-150	1 1/2	1 1/2	2	3	2 5/8	3 1/4	1 7/16	8 3/8	1 9/16	9 3/4	15/16	1/2
XTS200-150	2	1 1/2	2	3 1/2	2 3/4	3 1/4	1 9/16	8 3/8	1 9/16	10 1/4	3/4	1/2

Bronze Braided or Laminated Expansion