

DOSSERT®

TYPE XTSS, XTSS-N

Copper Flexible Connector For Tubular Bus To Flat

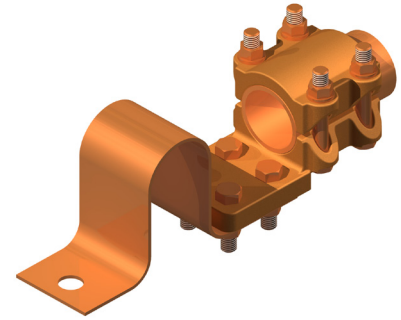
XTSS is used where stud and the tube positioning will not permit any extensive offset. The semi-flexible loop of copper strapping allows for movement caused by the expansion and contraction of conductor members.

Material

Copper Alloy

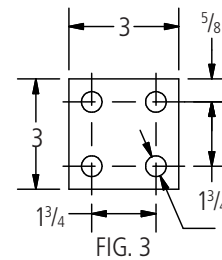
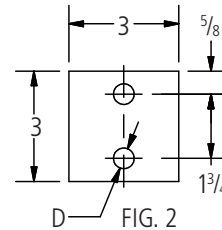
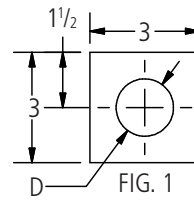
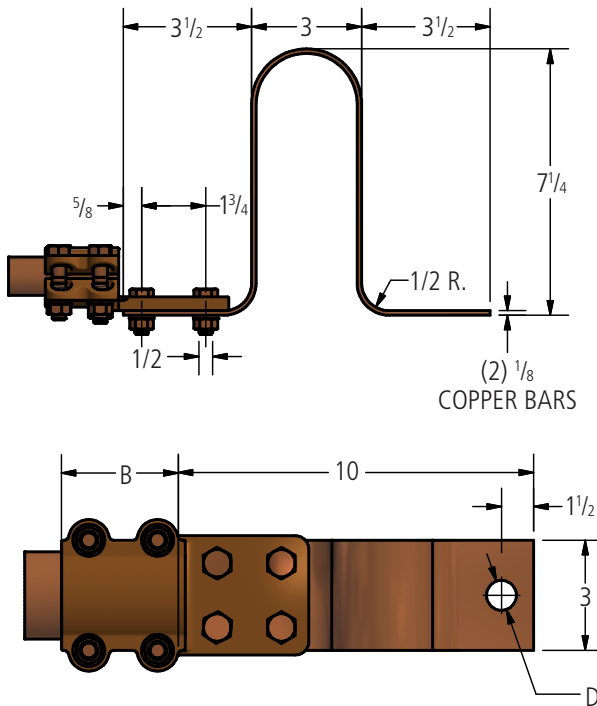
Hardware

Everdur nuts, bolts and lock washers.



Lamination Material

Copper



Ordering Information

CATALOG NUMBER	SPS	FIG. NO.	DIMENSIONS IN INCHES		BOLT SIZE
			B	D	
XTSS100-150	1	1	2	1 9/16	3/8
XTSS100-2N	1	2	2	9/16	3/8
XTSS100-4N	1	3	2	9/16	3/8
XTSS125-150	1 1/4	1	2 5/8	1 9/16	1/2
XTSS125-2N	1 1/4	2	2 5/8	9/16	1/2
XTSS125-4N	1 1/4	3	2 5/8	9/16	1/2
XTSS150-150	1 1/2	1	2 5/8	1 9/16	1/2
XTSS150-175	1 1/2	1	2 5/8	1 13/16	1/2
XTSS150-2N	1 1/2	2	2 5/8	9/16	1/2
XTSS150-4N	1 1/2	3	2 5/8	9/16	1/2
XTSS200-150	2	1	2 3/4	1 9/16	1/2
XTSS200-2N	2	2	2 3/4	9/16	1/2
XTSS200-4N	2	3	2 3/4	9/16	1/2

Bronze Braided or Laminated Expansion