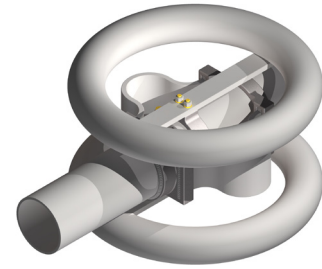


DOSSERT® TYPE WXBC-V-AA

Welded Expansion Bus Support Rated for 345 kV



Material

Aluminum Alloy

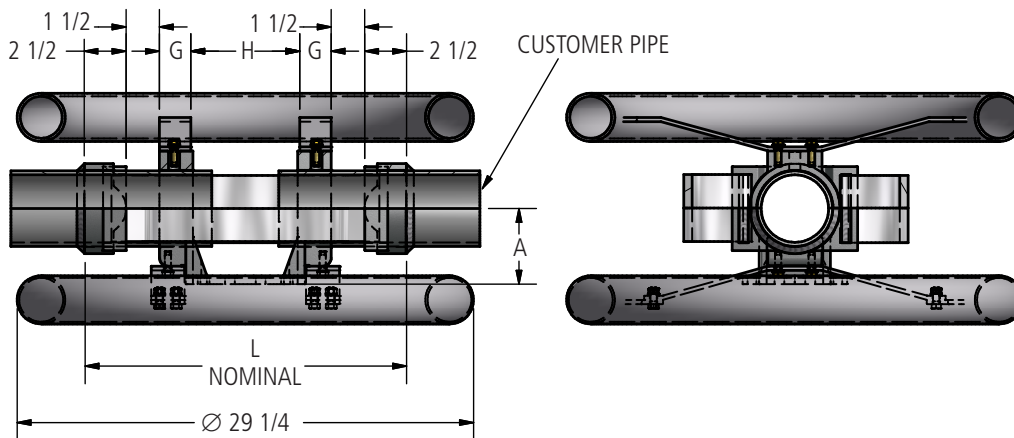
Notes

For chatter spring add "-CH" to catalog number, order: WXBC500-5-V-CH-AA.

Hardware

Galvanized steel mounting hardware included.
Stainless steel bolts, lockwashers, and flatwashers.

For end plugs add "-WP" to catalog number, order: WXBC500-5-V-AA-WP.



Ordering Information

CATALOG NUMBER		SPS	SCHEDULE NUMBER	BOLT CIRCLE	DIMENSIONS IN INCHES			
STANDARD	WITH CHATTER SPRING				A	G	H	L
WXBC300-5-V-AA	WXBC300-5-V-CH-AA	3	40	5	3 5/8	1 1/4	6 1/4	16 3/8
WXBC350-5-V-AA	WXBC350-5-V-CH-AA	3 1/2	40	5	4	1 1/4	6 1/4	16 3/8
WXBC400-5-V-AA	WXBC400-5-V-CH-AA	4	40	5	4 1/2	2	6 1/4	18 1/4
WXBC400-7-V-AA	WXBC400-7-V-CH-AA	4	40	7	4 1/2	2	8 1/2	20 1/2
WXBC400E-5-V-AA	WXBC400E-5-V-CH-AA	4	80	5	4 1/2	2	6 1/4	18 1/4
WXBC500-5-V-AA	WXBC500-5-V-CH-AA	5	40	5	5	2	6 1/4	18 1/4
WXBC500E-5-V-AA	WXBC500E-5-V-CH-AA	5	80	5	5	2	6 1/4	18 1/4
WXBC500-7-V-AA	WXBC500-7-V-CH-AA	5	40	7	5	2	8 1/2	20 1/2
WXBC600-5-V-AA	WXBC600-5-V-CH-AA	6	40	5	5 1/2	2	6 1/4	18 1/4
WXBC600-7-V-AA	WXBC600-7-V-CH-AA	6	40	7	5 1/2	2	8 1/2	20 1/2
WXBC600E-5-V-AA	WXBC600E-5-V-CH-AA	6	80	5	5 1/2	2	6 1/4	18 1/4
WXBC800E-5-V-AA	WXBC800E-5-V-CH-AA	8	80	5	6 7/8	2	6 1/4	18 1/4
WXBC800R-5-V-AA	WXBC800R-5-V-CH-AA	8" O.D.	-	5	7 1/2	2	6 1/4	18 1/4

Each item should be either SCH 40 or SCH 80 (E).